
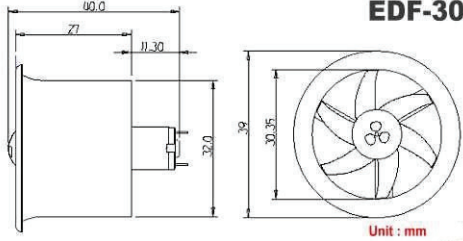


Model	Description
EDF30	Motor is not available.

Parts Number	Description	MSRP	Dealer
GWDFS007	Duct for EDF30 (1pcs) (Black) (For Diameter 10mm Motor)	\$4.00	B
GWDFS008	1220x6 Fan for EDF30 (1pcs) (Black) (For Diameter 1mm Shaft)	\$2.00	B

Parts Number	Description	MSRP	Dealer
GW/EDF-30			



EDF-30
Unit : mm

GWDFS007

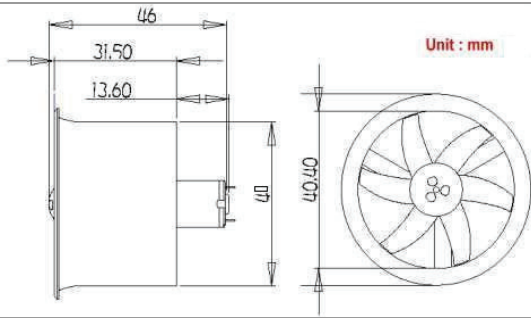


GWDFS008

Model	Description
EDF40	

Parts Number	Description	MSRP	Dealer
GW/EDF40	Ducted Fan (27.00g): 6V – 8.4V (Fan: 1630x6) w/CN12-RLC Motor (M3 Connector) w/Heat Sink (GW/EHS-12) installed	\$11.73	A
GW/EDF40H	Ducted Fan (27.00g): 9.6V – 12V (Fan: 1630x6) w/CN12-RXC Motor (M3 Connector) w/Heat Sink (GW/EHS-12) installed	\$11.73	A
GW/EDF40-1	Duct for EDF40 (1pcs) (Black)	\$5.00	B
GW/EDF40-2	Fan (1630x6) for EDF40 (1pcs) (Black)	\$2.50	B
GW/EDF50-2	Motor CN12-126 w/Capacitor; w/W22 100mm wire (M3 Connector); w/M1.6 Screw x 2; Compatible with all EDF50 and EDF40 Series Ducted Fan (Motor Diameter: 12.02mm)	\$10.50	B
GW/EDF50-4	Motor CN12-126 w/Capacitor; w/W22 100mm wire (M3 Connector); w/M1.6 Screw x 2; (GW/EDF50-2); Heat Sink (GW/EHS-12) x 1	\$11.75	B
GW/EDF50H-4	Motor: CN12-124 w/Capacitor; w/W22 100mm wire (M3 Connector); w/M1.6 Screw x 2; Heat Sink (GW/EHS-12) x 1 Compatible with all EDF50 and EDF40 Series Ducted Fan (Motor Diameter: 11.96mm)	\$11.75	B

Volts	Amps	Thrust	Power	Efficiency	Duct	Fan	Motor	Heat Sink
GW/EDF40								
6.0V	3.1A	53g (1.87oz)	18.60w	2.85g/w (0.101oz/w)	6.00g	1.00g 1630x6	16.7g CN12-RLC	3.03g
7.2V	3.9A	71g (2.50oz)	28.08w	2.53g/w (0.089oz/w)	Black	Black/Orange	CN12-RLC	Black
8.4V	4.9A	87g (3.05oz)	41.16w	2.11g/w (0.075oz/w)				Black
GW/EDF40H								
9.6V	1.5A	53g (1.87oz)	14.40w	3.68g/w (0.148oz/w)	6.00g	1.00g 1630x6	16.7g CN12-RXC	3.03g
10.8V	1.8A	65g (2.29oz)	19.44w	3.34g/w (0.133oz/w)	Black	Black/Orange	CN12-RXC	Black
12.0V	2.1A	74g (2.61oz)	25.20w	2.94g/w (0.115oz/w)				Black



Unit : mm

- CN12 Shaft: Diameter = 1.5mm



GW/EDF40-1



GW/EDF40-2



GW/EDF50-2



GW/EDF50-4



GW/EDF50H-4