

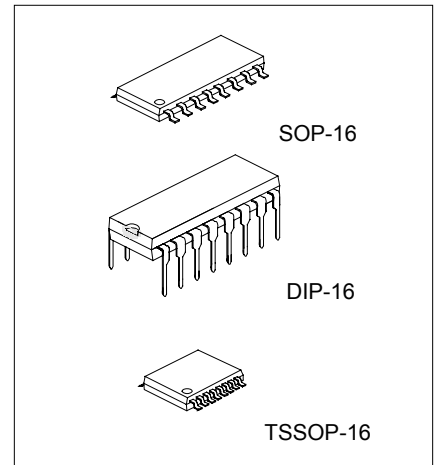
ANALOG MULTIPLEXERS/ DEMULTIPLEXERS

DESCRIPTION

The UTC 4053 are Triple SPDT analog multiplexers for application as digitally-controlled analog switches.

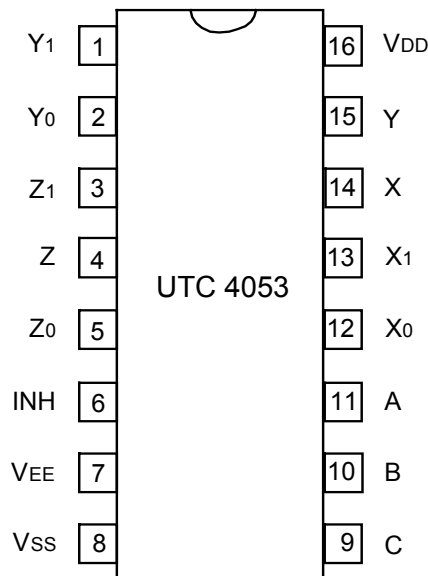
FEATURES

- * Analog Voltage Range ($V_{DD} - V_{EE}$) = 3.0 ~ 18 V
Note: V_{EE} must be $\leq V_{SS}$
- * Linearized Transfer Characteristics
- * Pin-to-Pin Replacement for CD4053

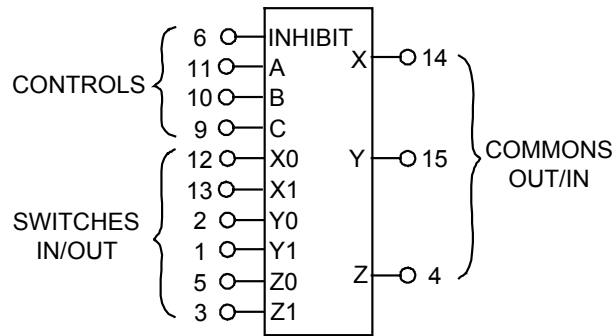


*Pb-free plating product number: 4053L

PIN CONFIGURATIONS



UTC 4053 Triple 2-Channel Analog Multiplexer/Demultiplexer



V_{DD} = PIN 16
 V_{SS} = PIN 8
 V_{EE} = PIN 7

Note: Control Inputs referenced to V_{SS}, Analog Inputs and Outputs reference to V_{EE}. V_{EE} must be ≤ V_{SS}.

ABSOLUTE MAXIMUM RATINGS*

PARAMETER	SYMBOL	RATINGS	UNIT
DC Supply Voltage (Referenced to V _{EE} , V _{SS} ≥ V _{EE})	V _{DD}	-0.5 ~ +18.0	V
Input or Output Voltage (DC or Transient) (Referenced to V _{SS} for Control Inputs and V _{EE} for Switch I/O)	V _{in} , V _{out}	-0.5 ~ V _{DD} + 0.5	V
Input Current (DC or Transient), per Control Pin	I _{in}	±10	mA
Switch Through Current	I _{SW}	±25	mA
Power Dissipation. Per Package**	P _D	500	mW
Storage Temperature	T _{stg}	-65 ~ +150	°C
Lead Temperature (8 - Second Soldering)	T _{Lead}	260	°C

* Maximum Ratings are those values beyond which damage to the device may occur.

** Temperature Derating: "DIP and SOP" Packages: - 7.0 mW/°C From 65°C ~ 125°C

ELECTRICAL CHARACTERISTICS

(T_a=25°C, unless otherwise indicated.)

PARAMETER	SYMBOL	TEST CONDITIONS	MIN	TYP#	MAX	UNIT
SUPPLY REQUIREMENTS (Voltages Referenced to V_{EE})						
Power Supply Voltage Range	V _{DD}	V _{DD} - 3.0 ≥ V _{SS} ≥ V _{EE}	3.0		18	V
Quiescent Current per Package	I _{DD}	Control Inputs: V _{in} = V _{SS} or V _{DD} Switch I/O: V _{EE} ≤ V _{I/O} ≤ V _{DD} , and ΔV _{switch} ≤ 500mV* V _{DD} =5.0V V _{DD} =10V V _{DD} =15V		0.005 0.010 0.015	5.0 10 20	μA
Total Supply Current (Dynamic Plus Quiescent, Per Package)	I _{D(AV)}	T _a =25°C only (The channel component, (V _{in} - V _{out})/R _{on} , is not included.) V _{DD} =5.0V V _{DD} =10V V _{DD} =15V		(0.07 μA/kHz) f + I _{DD} Typical (0.20 μA/kHz) f + I _{DD} (0.36 μA/kHz) f + I _{DD}		μA

PARAMETER	SYMBOL	TEST CONDITIONS	MIN	TYP#	MAX	UNIT
CONTROL INPUTS – INHIBIT A, B, C (Voltages Referenced to V_{SS})						
Low – Level Input Voltage	V _{IL}	Ron= per spec, Ioff = per spec V _{DD} =5.0V V _{DD} =10V V _{DD} =15V		2.25 4.50 6.75	1.5 3.0 4.0	V
High – Level Input Voltage	V _{IH}	Ron= per spec, Ioff = per spec V _{DD} =5.0V V _{DD} =10V V _{DD} =15V	3.5 7.0 11	2.75 5.50 8.25		V
Input Leakage Current	I _{in}	V _{in} = 0 or V _{DD} , V _{DD} =15V		±0.00001	±0.1	µA
Input Capacitance	C _{in}			5.0	7.5	pF
SWITCHES IN/OUT AND COMMONS OUT/IN -- X, Y, Z (Voltages Referenced to V_{EE})						
Recommended Peak-to-Peak Voltage Into or Out of the Switch	V _{I/O}	Channel On or Off	0		V _{DD}	V _{PP}
Recommended Static or Dynamic Voltage Across the Switch** (Figure 3)	ΔV _{switch}	Channel On	0		600	mV
Output Offset Voltage	V _{OO}	V _{in} = 0V, No Load		10		µV
ON Resistance	R _{on}	ΔV _{switch} ≤ 500mV* V _{in} = V _{IL} or V _{IH} (Control), and V _{in} = 0 to V _{DD} (Switch) V _{DD} =5.0V V _{DD} =10V V _{DD} =15V		250 120 80	1050 500 280	Ω
Δ ON Resistance Between Any Two Channels in the Same Package	ΔR _{on}	V _{DD} =5.0V V _{DD} =10V V _{DD} =15V		25 10 10	70 50 45	Ω
Off-Channel Leakage Current (Figure 8)	I _{off}	V _{in} = V _{IL} or V _{IH} (Control) Channel to Channel or Any One Channel, V _{DD} =15V		±0.05	±100	nA
Capacitance, Switch I/O	C _{I/O}	Inhibit = V _{DD}		10		pF
Capacitance, Common O/I	C _{O/I}	Inhibit = V _{DD}		17		pF
Capacitance, Feedthrough (Channel Off)	C _{I/O}	Pins Not Adjacent Pins Adjacent		0.15 0.47		pF

#Data labeled "Typ" is not to be used for design purposes, but is intended as an indication of the IC's potential performance.

* For voltage drops across the switch (ΔV_{switch}) > 600 mV (> 300 mV at high temperature), excessive V_{DD} current may be drawn, i.e. the current out of the switch may contain both V_{DD} and switch input components. The reliability of the device will be unaffected unless the Maximum Ratings are exceeded. (See second page of this data sheet.)

ELECTRICAL CHARACTERISTICS*

($C_L = 50\text{pF}$, $T_a = 25^\circ\text{C}$, $V_{EE} \leq V_{SS}$, unless otherwise indicated.)

PARAMETER	SYMBOL	$V_{DD} - V_{EE}$ Vdc	TEST CONDITIONS	MIN	TYP#	MAX	UNIT
Propagation Delay Times (Figure 4) Switch Input to Switch Output ($R_L = 10\text{ k}\Omega$)	t_{PLH} , t_{PHL}	5.0	t_{PLH} , $t_{PHL} = (0.17\text{ ns/pF}) C_L + 16.5\text{ ns}$		25	65	ns
		10	t_{PLH} , $t_{PHL} = (0.08\text{ ns/pF}) C_L + 4.0\text{ ns}$		8.0	20	
		15	t_{PLH} , $t_{PHL} = (0.06\text{ ns/pF}) C_L + 3.0\text{ ns}$		6.0	15	
Inhibit to Output	t_{PHZ} , t_{PLZ} t_{PZH} , t_{PZL}	5.0	$(R_L = 10\text{ k}\Omega, V_{EE} = V_{SS})$ Output "1" or "0" to High Impedance, or High Impedance to "1" or "0" Level		275	550	ns
		10		140	280		
		15		110	220		
Control Input to Output	t_{PLH} , t_{PHL}	5.0	$R_L = 10\text{ k}\Omega, V_{EE} = V_{SS}$		300	600	ns
		10		120	240		
		15		80	160		
Second Harmonic Distortion		10	$R_L = 10\text{ k}\Omega, f = 1\text{ kHz}, V_{in} = 5\text{ V}_{PP}$		0.07		%
Bandwidth (Figure 5)	BW	10	$R_L = 1\text{ k}\Omega, V_{in} = 1/2 (V_{DD} - V_{EE})\text{ p-p}$, $C_L = 50\text{ pF}, 20\text{ Log } (V_{out}/V_{in}) = -3\text{ dB}$		17		MHz
Off Channel Feedthrough Attenuation (Figure 5)		10	$R_L = 1\text{ k}\Omega, V_{in} = 1/2 (V_{DD} - V_{EE})\text{ p-p}$ $f_{in} = 55\text{ MHz}$		-50		dB
Channel Separation (Figure 6)		10	$R_L = 1\text{ k}\Omega, V_{in} = 1/2 (V_{DD} - V_{EE})\text{ p-p}$ $f_{in} = 3.0\text{ MHz}$		-50		dB
Crosstalk, Control Input to Common O/I (Figure 7)		10	$R_1 = 1\text{ k}\Omega, R_L = 10\text{ k}\Omega$ Control $t_{TLH} = t_{THL} = 20\text{ ns}, \text{Inhibit} = V_{SS}$		75		mV

* The formulas given are for the typical characteristics only at 25°C .

Data labelled "Typ" is not to be used for design purposes but is intended as an indication of the IC's potential performance.

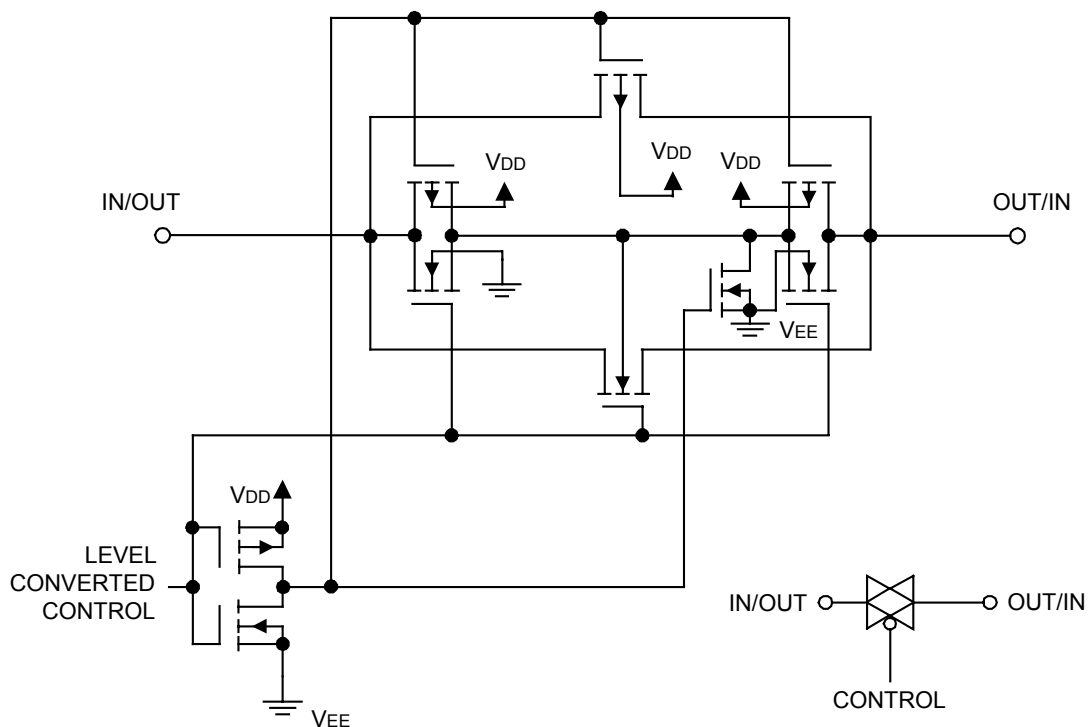


Figure 1. Switch Circuit Schematic

TRUTH TABLE

Control Inputs			ON Switches			
Inhibit	Select			UTC 4053		
	C	B	A	Z0	Y0	X0
0	0	0	0	Z0	Y0	X0
0	0	0	1	Z0	Y0	X1
0	0	1	0	Z0	Y1	X0
0	0	1	1	Z0	Y1	X1
0	1	0	0	Z1	Y0	X0
0	1	0	1	Z1	Y0	X1
0	1	1	0	Z1	Y1	X0
0	1	1	1	Z1	Y1	X1
1	x	x	x	None		

x = Don't Care

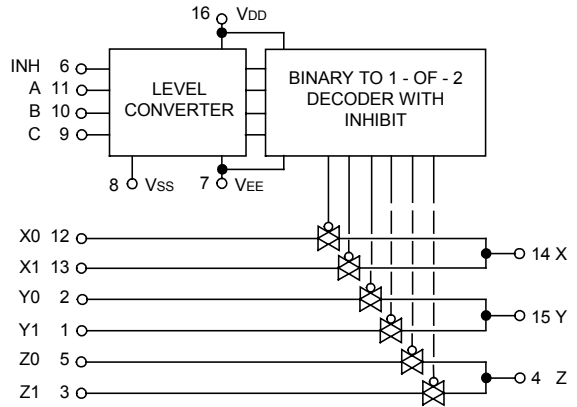
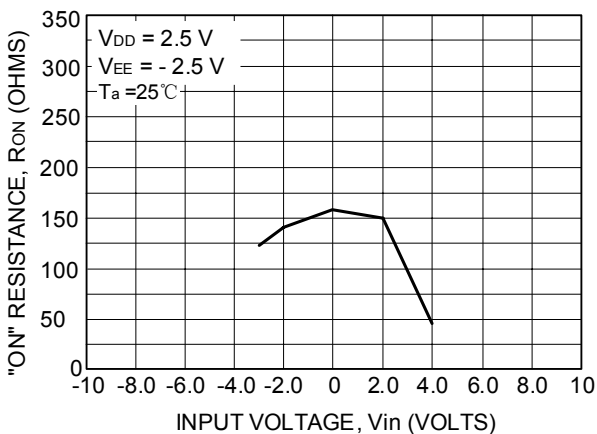
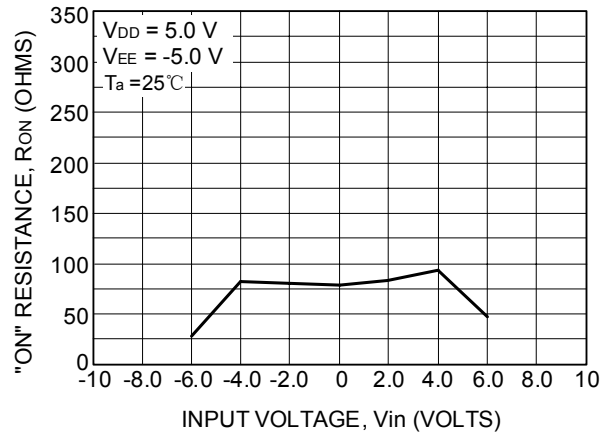
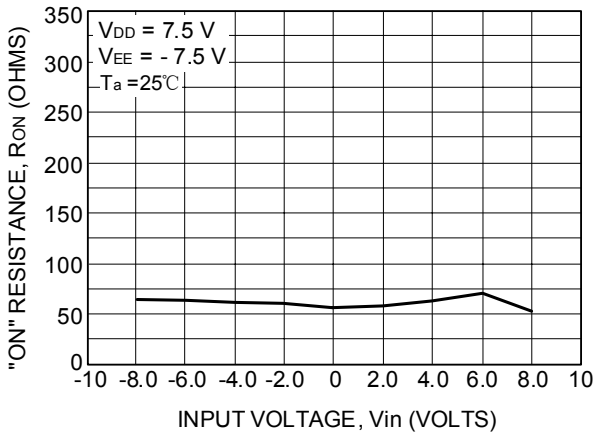


Figure 2. UTC 4053 Functional Diagram



UTC assumes no responsibility for equipment failures that result from using products at values that exceed, even momentarily, rated values (such as maximum ratings, operating condition ranges, or other parameters) listed in products specifications of any and all UTC products described or contained herein. UTC products are not designed for use in life support appliances, devices or systems where malfunction of these products can be reasonably expected to result in personal injury. Reproduction in whole or in part is prohibited without the prior written consent of the copyright owner. The information presented in this document does not form part of any quotation or contract, is believed to be accurate and reliable and may be changed without notice.

This datasheet has been downloaded from:

www.DatasheetCatalog.com

Datasheets for electronic components.