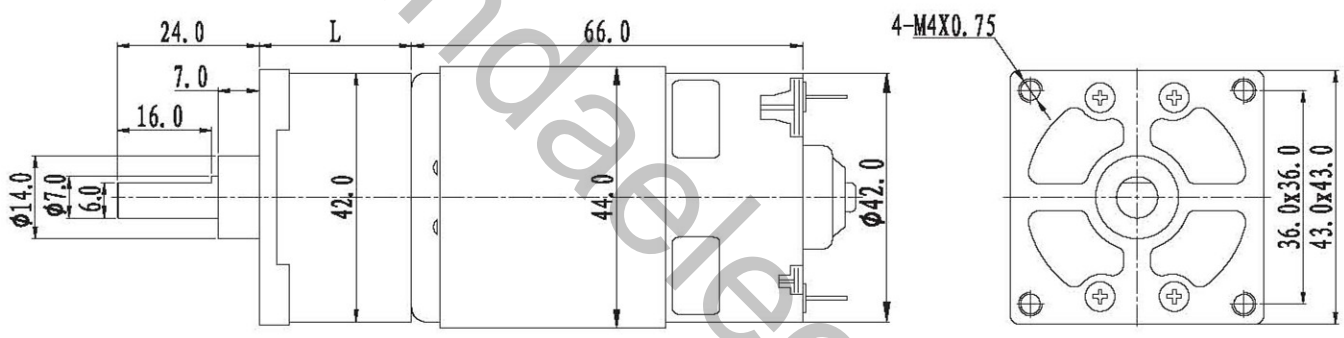


ZGA42FM(A7038)



Drawing



Specification

DC MOTOR	Ratio	1/8.3	1/18.2	1/22.2	1/59	1/158
ZYTD-775 (12V-3500R)	No-Load (r/min)	430	195	160	60	23
	On-Load (r/min)	360	160	135	54	21
	Rated Torque (kgf.cm)	2	4.2	5.3	9	12
ZYTD-775 (24V-4600R)	No-Load (r/min)	580	260	215	80	30
	On-Load (r/min)	485	220	185	75	29
	Rated Torque (kgf.cm)	3.2	7	7	9	12
		CW	CCW	CW	CCW	

GEARBOX

Ratio	L	Stages	Allowable Torque	
	mm		mN.m	kgf.cm
1/8.3	29.7	3	392	4
1/18.2~1/22.2	29.7	4	686	7
1/59	33.5	5	882	9
1/158	36.7	6	1176	12