

RoHS Compliant Product
A suffix of "-C" specifies halogen & lead-free

FEATURES

- Low Saturation Voltage
- Excellent DC Current Gain Characteristics
- Complements to 2SC4672

CLASSIFICATION OF h_{FE}

Product-Rank	2SA1797-Q	2SA1797-R
Range	120~270	180~390
Marking	AGQ	AGR

PACKAGE INFORMATION

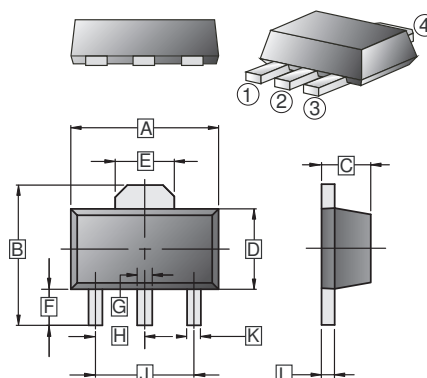
Package	MPQ	Leader Size
SOT-89	1K	7 inch

ORDER INFORMATION

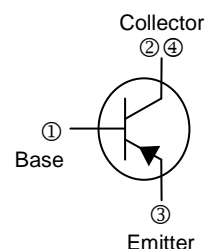
Part Number	Type
2SA1797-□	Lead (Pb)-free
2SA1797-□-C	Lead (Pb)-free and Halogen-free

*□=Rank

SOT-89



REF.	Millimeter		REF.	Millimeter	
	Min.	Max.		Min.	Max.
A	4.40	4.60	G	0.40	0.58
B	3.94	4.25	H	1.50 TYP	
C	1.40	1.60	J	3.00 TYP	
D	2.30	2.60	K	0.32	0.52
E	1.55 REF		L	0.35	0.44
F	0.90	1.20			



ABSOLUTE MAXIMUM RATINGS ($T_A=25^\circ\text{C}$ unless otherwise specified)

Parameter	Symbol	Ratings	Unit
Collector-Base Voltage	V_{CBO}	-50	V
Collector-Emitter Voltage	V_{CEO}	-50	
Emitter-Base Voltage	V_{EBO}	-6	
Continuous Collector Current	I_C	-2	A
Peak Pulse Current	I_{CM}	-3	A
Collector Power Dissipation	P_C	500	mW
Junction & Storage Temperature	T_J, T_{STG}	150, -55~150	$^\circ\text{C}$

ELECTRICAL CHARACTERISTICS ($T_A=25^\circ\text{C}$ unless otherwise specified)

Parameter	Symbol	Min.	Typ.	Max.	Unit	Test Conditions
Collector-Base Breakdown Voltage	$V_{(BR)CBO}$	-50	-	-	V	$I_C = -50\mu\text{A}, I_E = 0$
Collector-Emitter Breakdown Voltage	$V_{(BR)CEO}$	-50	-	-		$I_C = -1\text{mA}, I_B = 0$
Emitter-Base Breakdown Voltage	$V_{(BR)EBO}$	-6	-	-		$I_E = -50\mu\text{A}, I_C = 0$
Collector Cut-off Current	I_{CBO}	-	-	-0.1	μA	$V_{CB} = -50\text{V}, I_E = 0$
Emitter Cut-off Current	I_{EBO}	-	-	-0.1		$V_{EB} = -5\text{V}, I_C = 0$
DC Current Gain	h_{FE}	120	-	390		$V_{CE} = -2\text{V}, I_C = -500\text{mA}$
Collector-Emitter Saturation Voltage	$V_{CE(sat)}$	-	-	-0.35	V	$I_C = -1\text{A}, I_B = -50\text{mA}$
Transition Frequency	f_T	-	200	-	MHz	$V_{CE} = -2\text{V}, I_C = -0.5\text{A}, f = 100\text{MHz}$
Collector Output Capacitance	C_{OB}	-	36	-	pF	$V_{CB} = -10\text{V}, I_E = 0, f = 1\text{MHz}$

CHARACTERISTIC CURVES

Static Characteristic

