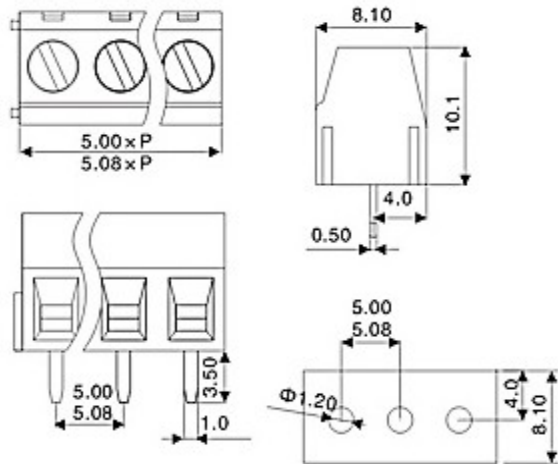
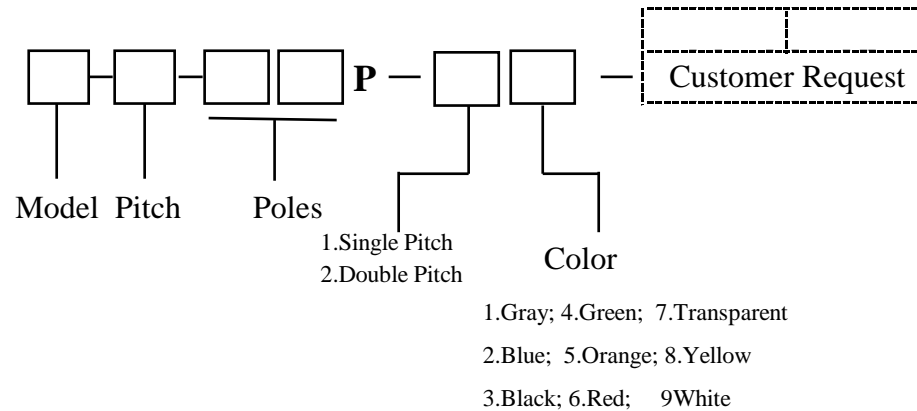




Electrical	
Wire Range	26-16AWG
Rated Current	10A
Rated Voltage	300V
With Standing Voltage	AC2000V/1min
Mechanical	
Temperature Range	-40°C ~+105°C
Max Soldering	+250°C for 5 sec.
Torque	0.4 Nm(3.5 lb.in)
Strip Length	4-5mm
Material	
Housing	PA66.UL94V-0
Pin Header	Tin-plated brass
Wire Cage	Ni-plated phosphor bronze, or Zinc-plated steel
Screws	M2.5, Zinc-plated steel
Demension	
Poles	2P,3P
Pitch	5.0/5.08mm



HOW TO ORDER



↔	KEFA [®] CIXI KEFA ELECTRONICS CO.,LTD.
	Model: KF127-5.0/5.08