

MEDIUM CURRENT 1.2 TO 37V ADJUSTABLE VOLTAGE REGULATOR

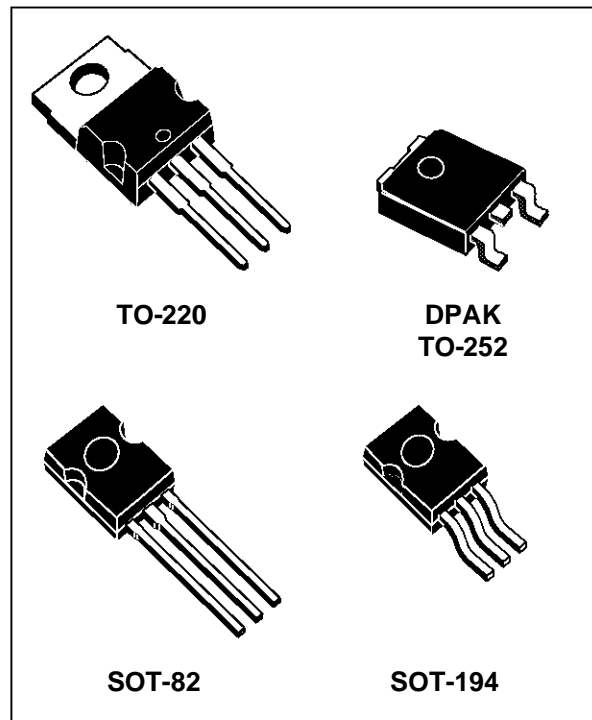
- OUTPUT VOLTAGE RANGE : 1.2 TO 37V
- OUTPUT CURRENT IN EXCESS OF 500 mA
- LINE REGULATION TYP. 0.01%
- LOAD REGULATION TYP. 0.1%
- THERMAL OVERLOAD PROTECTION
- SHORT CIRCUIT PROTECTION
- OUTPUT TRANSISTOR SAFE AREA COMPENSATION
- FLOATING OPERATION FOR HIGH VOLTAGE APPLICATIONS

DESCRIPTION

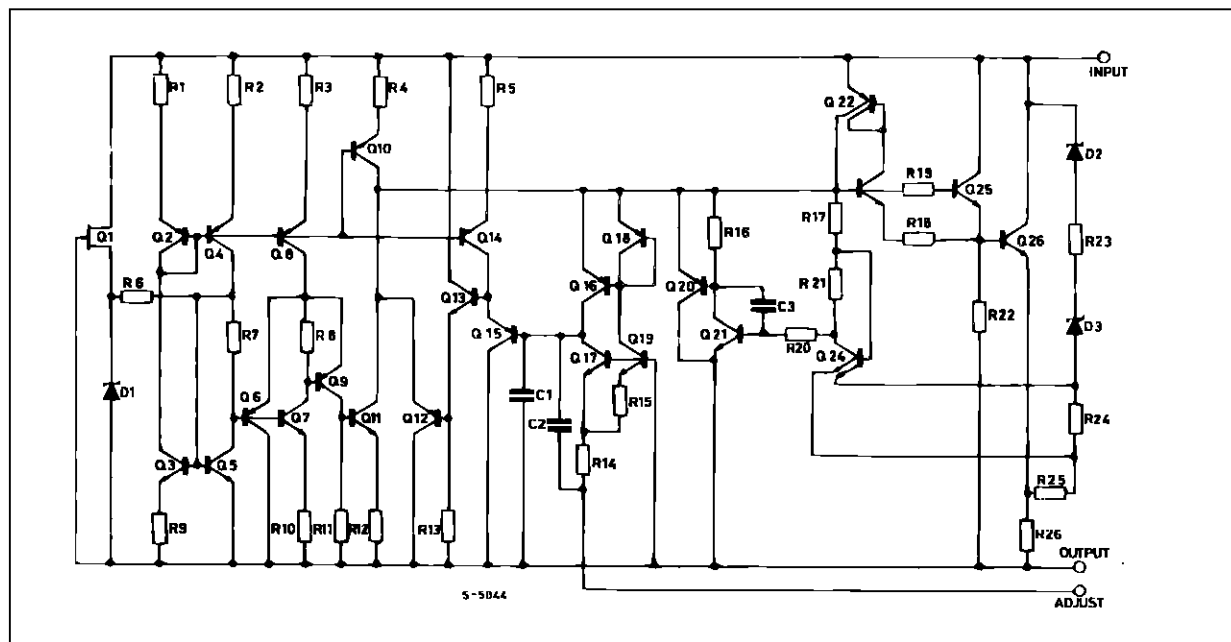
The LM217M/LM317M are monolithic integrated circuits in TO-220, DPAK, SOT-82 and SOT-194 packages intended for use as positive adjustable voltage regulators.

They are designed to supply until 500 mA of load current with an output voltage adjustable over a 1.2 to 37V range.

The nominal output voltage is selected by means of only a resistive divider, making the device exceptionally easy to use and eliminating the stocking of many fixed regulators.



SCHEMATIC DIAGRAM



LM217M/LM317M

ABSOLUTE MAXIMUM RATINGS

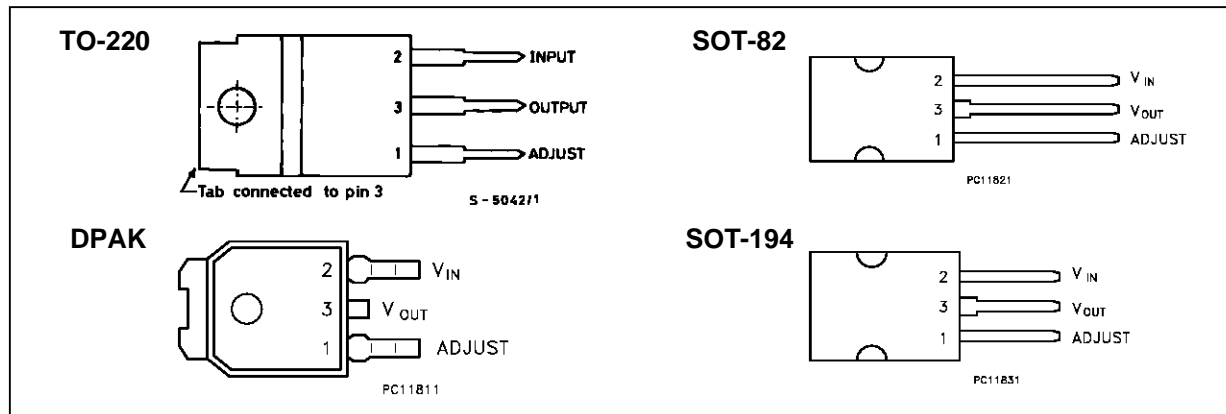
Symbol	Parameter	Value	Unit
$V_i - V_o$	Input-Output Differential Voltage	40	V
P_d	Power Dissipation	Internally Limited	
T_{opr}	Operating Junction Temperature Range (*) for LM217M for LM317M	-40 to 125 0 to 125	°C °C
T_{stg}	Storage Temperature Range	-55 to 150	°C

(*) Re-Boot is not guaranteed for $T_j \geq 85^\circ\text{C}$

THERMAL DATA

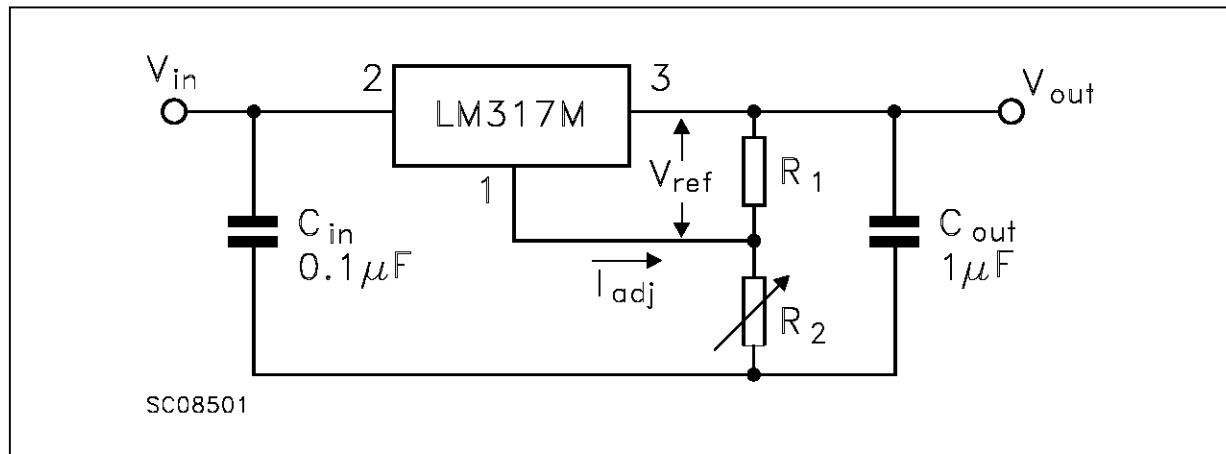
Symbol	Parameter		SOT-82 SOT-194 DPAK	TO-220	Unit
$R_{thj-case}$	Thermal Resistance Junction-case	Max	8	3	°C/W
$R_{thj-amb}$	Thermal Resistance Junction-ambient	Max	100	50	°C/W

PIN CONNECTION AND ORDERING NUMBERS



Type	TO-220	DPAK	SOT-82	SOT-194
LM217M	LM217MT	LM217MDT	LM217MX	LM217MS
LM317M	LM317MT	LM317MDT	LM317MX	LM317MS

TEST CIRCUIT



ELECTRICAL CHARACTERISTICS FOR LM217M (Refer to the test circuits, $-40 \leq T_j \leq 125^\circ\text{C}$
 $V_i - V_o = 5\text{ V}$, $I_o = 100\text{ mA}$, $P_d \leq 7.5\text{ W}$, unless otherwise specified)

Symbol	Parameter	Test Conditions		Min.	Typ.	Max.	Unit
ΔV_o	Line Regulation	$V_i - V_o = 3\text{ to }40\text{ V}$	$T_j = 25^\circ\text{C}$		0.01	0.02	%/V
					0.02	0.05	%/V
ΔV_o	Load Regulation	$V_o \leq 5\text{ V}$ $I_o = 10\text{ mA to }500\text{ mA}$	$T_j = 25^\circ\text{C}$		5	15	mV
					20	50	mV
		$V_o \geq 5\text{ V}$ $I_o = 10\text{ mA to }500\text{ mA}$	$T_j = 25^\circ\text{C}$		0.1	0.3	%/V _o
					0.3	1	%/V _o
I_{ADJ}	Adjustment Pin Current			50	100	μA	
ΔI_{ADJ}	Adjustment Pin Current	$V_i - V_o = 3\text{ to }40\text{ V}$ $I_o = 10\text{ mA to }500\text{ mA}$			0.2	5	μA
V_{REF}	Reference Voltage	$V_i - V_o = 3\text{ to }40\text{ V}$ $I_o = 10\text{ mA to }500\text{ mA}$		1.2	1.25	1.3	V
$\frac{\Delta V_o}{V_o}$	Output Voltage Temperature Stability				0.7		%
$I_{o(\min)}$	Minimum Load Current	$V_i - V_o = 40\text{ V}$			3.5	5	mA
$I_{o(\max)}$	Maximum Output Current	$V_i - V_o \leq 15\text{ V}$ $V_i - V_o = 40\text{ V}$, $P_d < P_{d\text{MAX}}$, $T_j = 25^\circ\text{C}$		500	1000 200		mA
e_N	Output Noise Voltage (percentage of V_o)	$B = 10\text{ Hz to }10\text{ kHz}$ $T_j = 25^\circ\text{C}$			0.003		%
SVR	Supply Voltage Rejection (*)	$T_j = 25^\circ\text{C}$ $f = 120\text{ Hz}$	$C_{ADJ} = 0$		65		dB
			$C_{ADJ} = 10\mu\text{F}$	66	80		dB

(*) CADJ is connected between Adjust pin and Ground.

ELECTRICAL CHARACTERISTICS FOR LM317M (Refer to the test circuits, $0 \leq T_j \leq 125^\circ\text{C}$
 $V_i - V_o = 5\text{ V}$, $I_o = 100\text{ mA}$, $P_d \leq 7.5\text{ W}$, unless otherwise specified)

Symbol	Parameter	Test Conditions		Min.	Typ.	Max.	Unit
ΔV_o	Line Regulation	$V_i - V_o = 3\text{ to }40\text{ V}$	$T_j = 25^\circ\text{C}$		0.01	0.04	%/V
					0.02	0.07	%/V
ΔV_o	Load Regulation	$V_o \leq 5\text{ V}$ $I_o = 10\text{ mA to }500\text{ mA}$	$T_j = 25^\circ\text{C}$		5	25	mV
					20	70	mV
		$V_o \geq 5\text{ V}$ $I_o = 10\text{ mA to }500\text{ mA}$	$T_j = 25^\circ\text{C}$		0.1	0.5	%/V _o
					0.3	1.5	%/V _o
I_{ADJ}	Adjustment Pin Current			50	100	μA	
ΔI_{ADJ}	Adjustment Pin Current	$V_i - V_o = 3\text{ to }40\text{ V}$ $I_o = 10\text{ mA to }500\text{ mA}$			0.2	5	μA
V_{REF}	Reference Voltage	$V_i - V_o = 3\text{ to }40\text{ V}$ $I_o = 10\text{ mA to }500\text{ mA}$		1.2	1.25	1.3	V
$\frac{\Delta V_o}{V_o}$	Output Voltage Temperature Stability				0.7		%
$I_{o(\min)}$	Minimum Load Current	$V_i - V_o = 40\text{ V}$			3.5	10	mA
$I_{o(\max)}$	Maximum Output Current	$V_i - V_o \leq 15\text{ V}$ $V_i - V_o = 40\text{ V}$, $P_d < P_{d\text{MAX}}$, $T_j = 25^\circ\text{C}$		500	1000 200		mA
e_N	Output Noise Voltage (percentage of V_o)	$B = 10\text{ Hz to }10\text{ kHz}$ $T_j = 25^\circ\text{C}$			0.003		%
SVR	Supply Voltage Rejection (*)	$T_j = 25^\circ\text{C}$ $f = 120\text{ Hz}$	$C_{ADJ} = 0$		65		dB
			$C_{ADJ} = 10\mu\text{F}$	66	80		dB

(*) CADJ is connected between Adjust pin and Ground.

Figure 1 : Current Limit

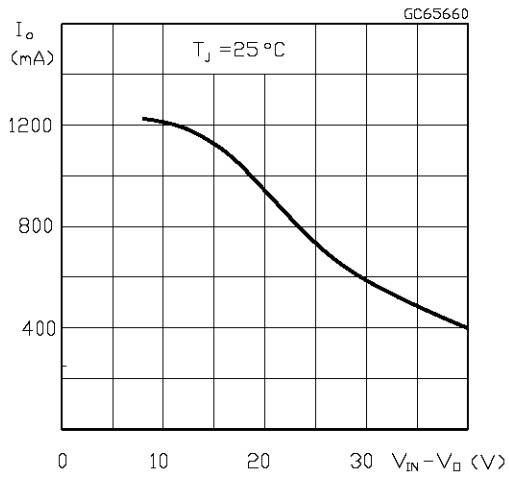


Figure 2 : Minimum Operating Current

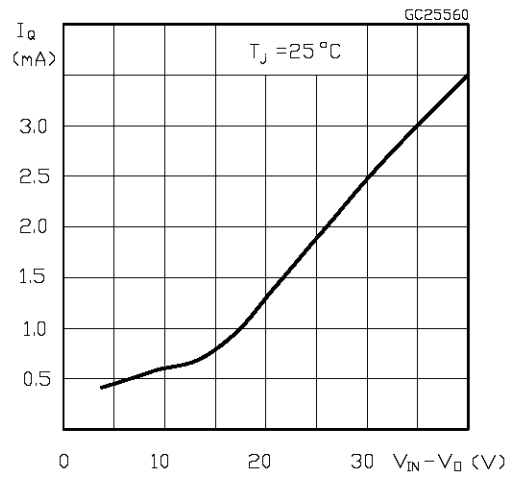


Figure 3 : Basic Adjustable Regulator.

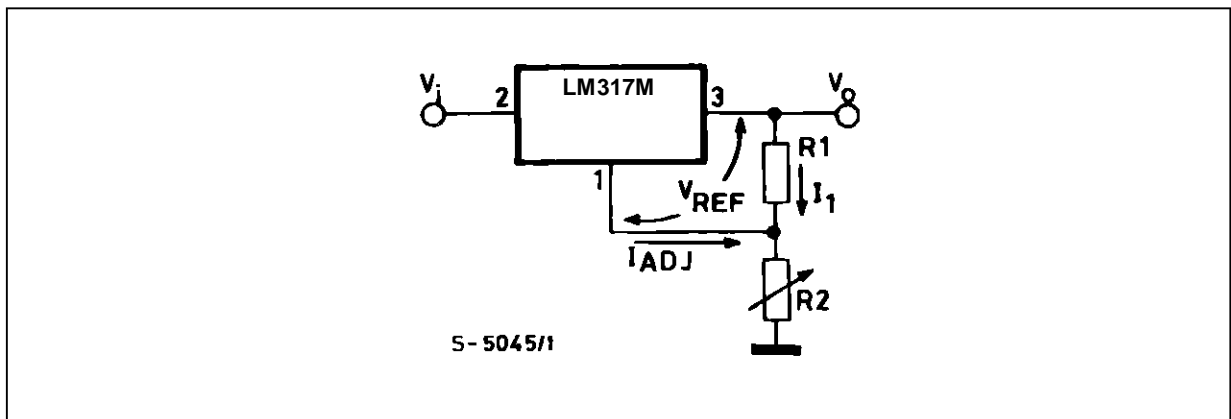
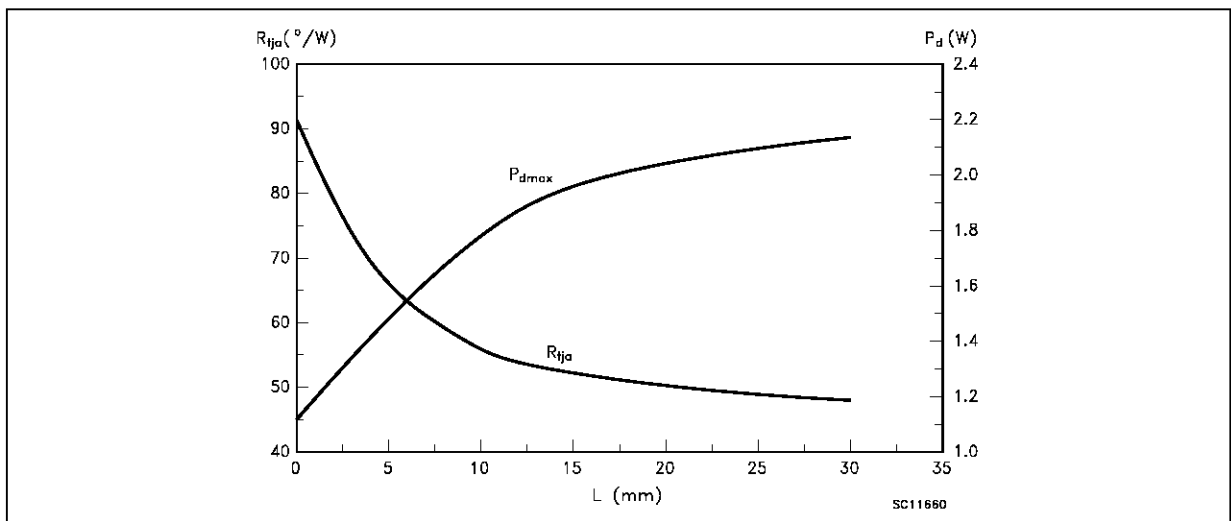


Figure 4 : Thermal Resistance & Maximum Power Dissipation vs P.C.B. Copper Length for DPAK



P_{dmax} calculated for $T_a = 50^\circ\text{C}$

APPLICATION INFORMATION

The LM317M provides an internal reference voltage of 1.25V between the output and adjustments terminals. This is used to set a constant current flow across an external resistor divider (see fig. 3), giving an output voltage V_O of:

$$V_O = V_{REF} \left(1 + \frac{R_2}{R_1}\right) + I_{ADJ} R_2$$

The device was designed to minimize the term I_{ADJ} (100 μ A max) and to maintain it very constant with line and load changes. Usually, the error term $I_{ADJ}R_2$ can be neglected. To obtain the previous requirement, all the regulator quiescent current is returned to the output terminal, imposing a minimum load current condition. If the load is insufficient, the output voltage will rise.

Since the LM317M is a floating regulator and "sees" only the input-to-output differential voltage, supplies of very high voltage with respect to ground can be regulated as long as the maximum input-to-output differential is not exceeded. Furthermore, programmable regulator are easily obtainable and, by connecting a fixed resistor between the adjustment and output, the device can be used as a precision current regulator.

In order to optimise the load regulation, the current set resistor R_1 (see fig. 3) should be tied as close as possible to the regulator, while the ground terminal of R_2 should be near the ground of the load to provide remote ground sensing.

EXTERNAL CAPACITORS (Fig.5)

Normally no capacitors are needed unless the device is situated far from the input filter capacitors; in which case an input bypass is needed.

A 0.1 μ F disc or 1 μ F tantalium input bypass capacitor (C_i) is recommended to reduce the sensitivity to input line impedance.

The adjustment terminal may be bypassed to ground to improve ripple rejection. This capacitor (C_{adj}) prevents ripple from being amplified as the output voltage is increased. A 10 μ F capacitor should improve ripple rejection about 80dB at 120Hz in a 10V application.

Although the LM317M is stable with no output capacitance like any feedback circuit, certain values of external capacitance can cause excessive ringing. An output capacitance (C_o) in the form of a 1 μ F tantalium or 25 μ F aluminium electrolytic capacitor on the output swamps this effect and insures stability.

PROTECTION DIODES (Fig.5)

When external capacitors are used with any IC regulator it is sometimes necessary to add protection diodes to prevent the capacitors from discharging through low current points into the regulator.

Figure 5 show the LM317M with the recommended protection diodes for output voltages in excess of 25V or high capacitance values ($C_3 > 25\mu$ F, $C_2 > 10\mu$ F). Diode D_1 prevents C_3 from discharging through the IC during an input short-circuit. The combination of diodes D_1 and D_2 prevents C_2 from discharging through the regulator during an input or output short-circuit.

START-UP BLOCK

It's not guaranteed the Re-Boot of the device when the junction temperature is over 85 °C.

Figure 5 : Voltage Regulator with Protection Diodes.

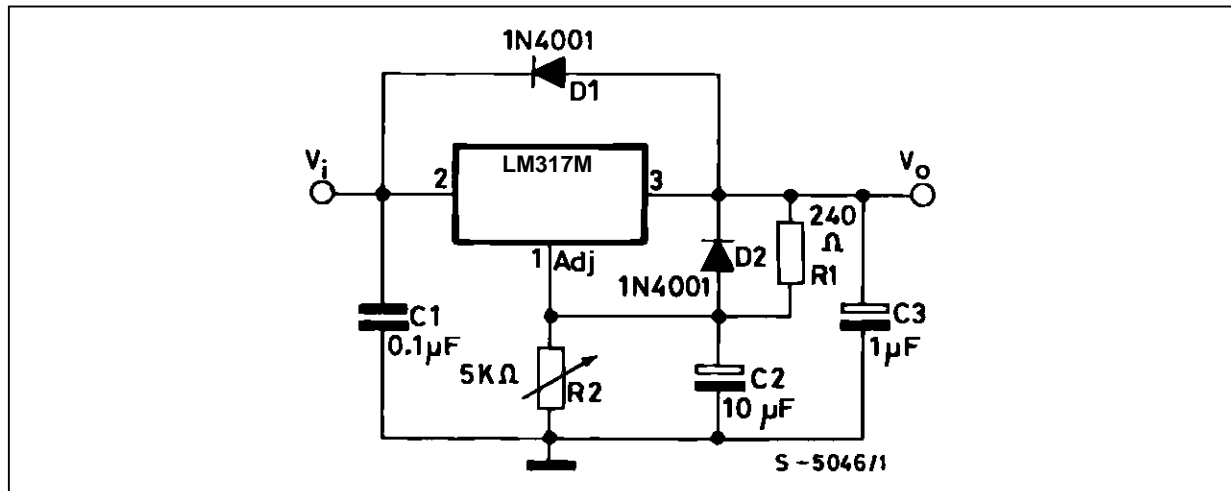


Figure 6 : Slow Turn-on 15V Regulator.

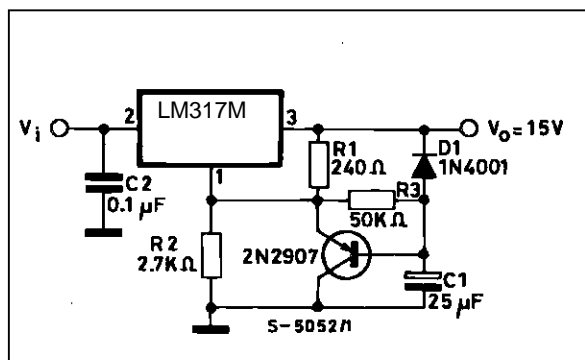


Figure 7 : Current Regulator.

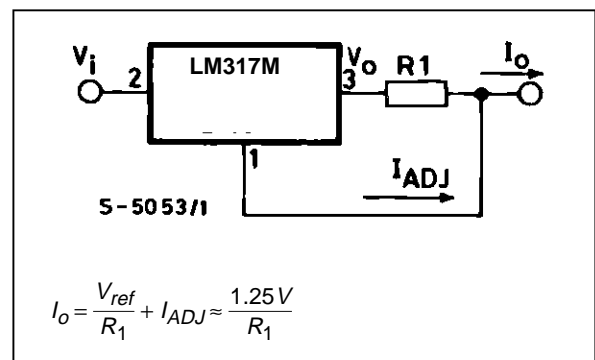


Figure 8 : 5V Electronic Shut-down Regulator.

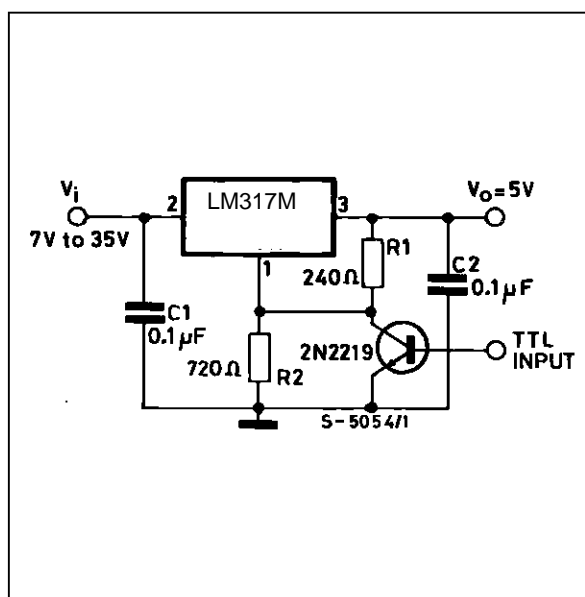
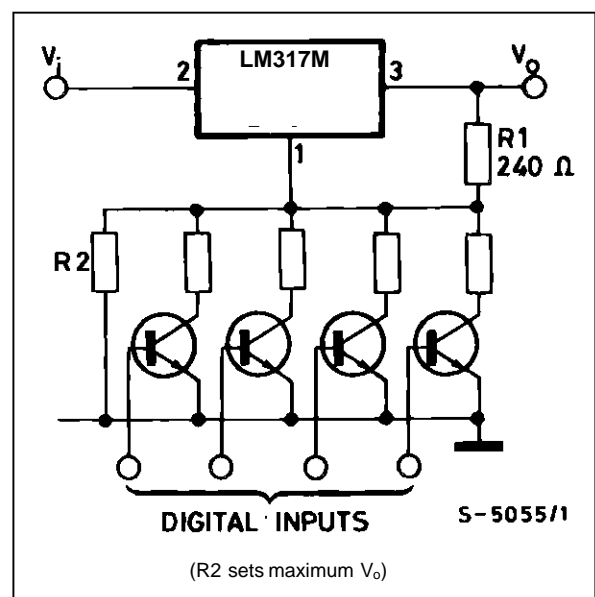
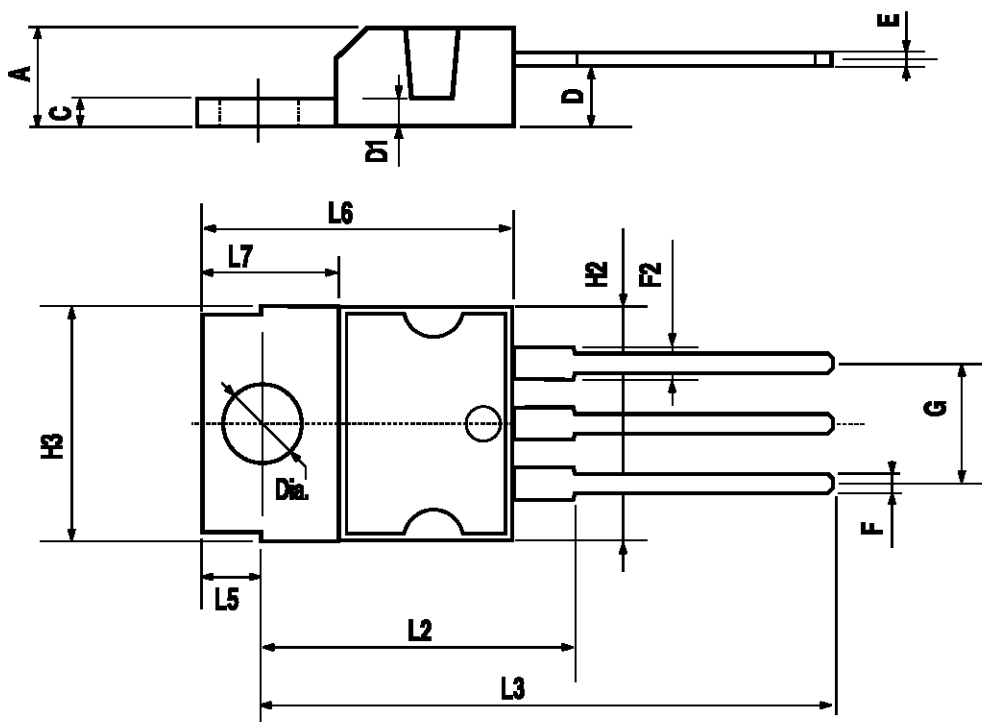


Figure 9 : Digitally Selected Outputs.



TO-220 MECHANICAL DATA

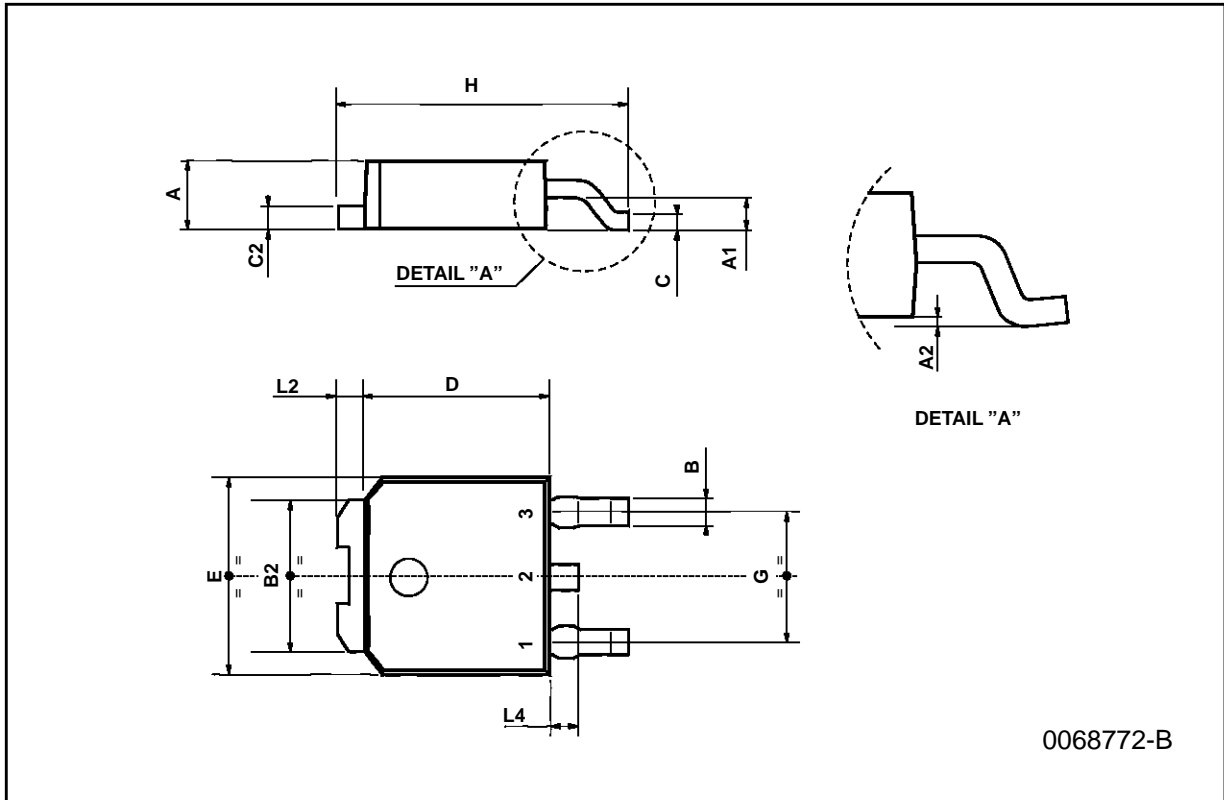
DIM.	mm			inch		
	MIN.	TYP.	MAX.	MIN.	TYP.	MAX.
A			4.8			0.189
C			1.37			0.054
D	2.4		2.8	0.094		0.110
D1	1.2		1.35	0.047		0.053
E	0.35		0.55	0.014		0.022
F	0.61		0.94	0.024		0.037
F2	1.15		1.4	0.045		0.055
G	4.95	5.08	5.21	0.195	0.200	0.205
H2			10.4			0.409
H3	10.05		10.4	0.396		0.409
L2		16.2			0.638	
L3	26.3	26.7	27.1	1.035	1.051	1.067
L5	2.6		3	0.102		0.118
L6	15.1		15.8	0.594		0.622
L7	6		6.6	0.236		0.260
Dia.	3.65		3.85	0.144		0.152



P011D

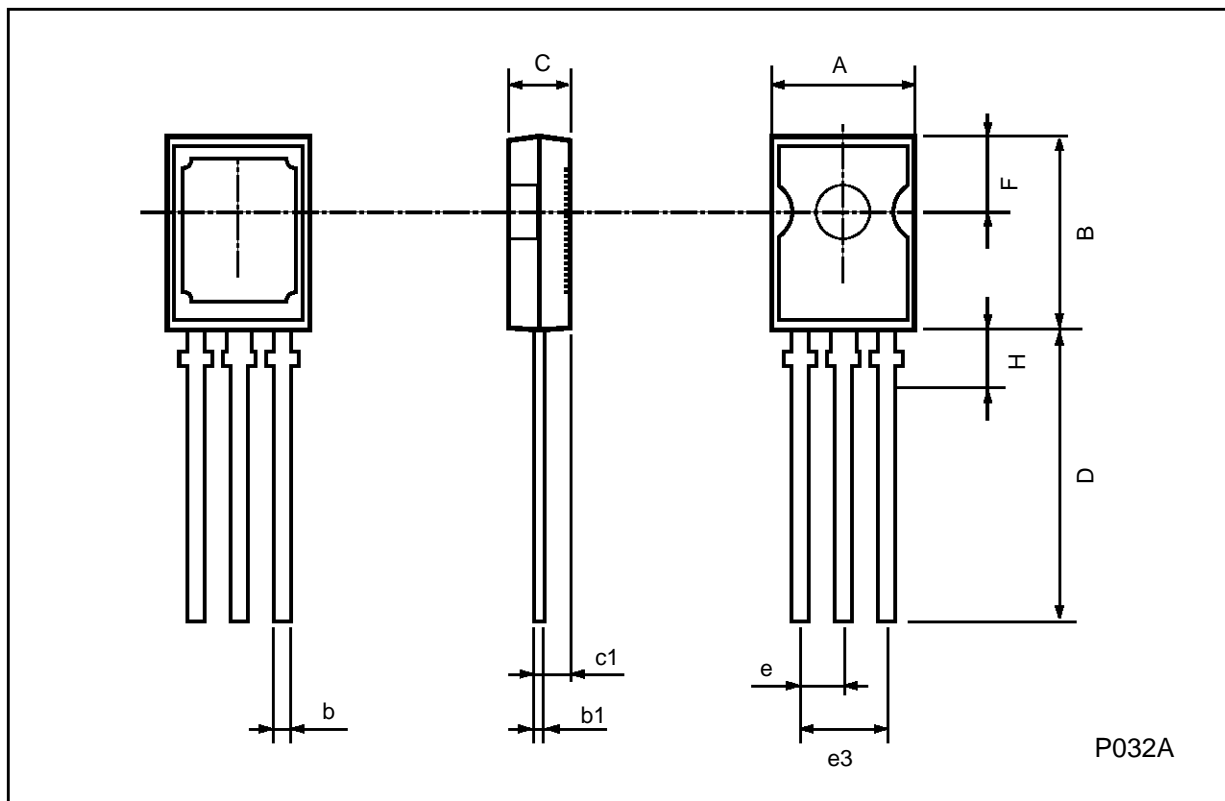
TO-252 (DPAK) MECHANICAL DATA

DIM.	mm			inch		
	MIN.	TYP.	MAX.	MIN.	TYP.	MAX.
A	2.2		2.4	0.086		0.094
A1	0.9		1.1	0.035		0.043
A2	0.03		0.23	0.001		0.009
B	0.64		0.9	0.025		0.035
B2	5.2		5.4	0.204		0.212
C	0.45		0.6	0.017		0.023
C2	0.48		0.6	0.019		0.023
D	6		6.2	0.236		0.244
E	6.4		6.6	0.252		0.260
G	4.4		4.6	0.173		0.181
H	9.35		10.1	0.368		0.397
L2		0.8			0.031	
L4	0.6		1	0.023		0.039



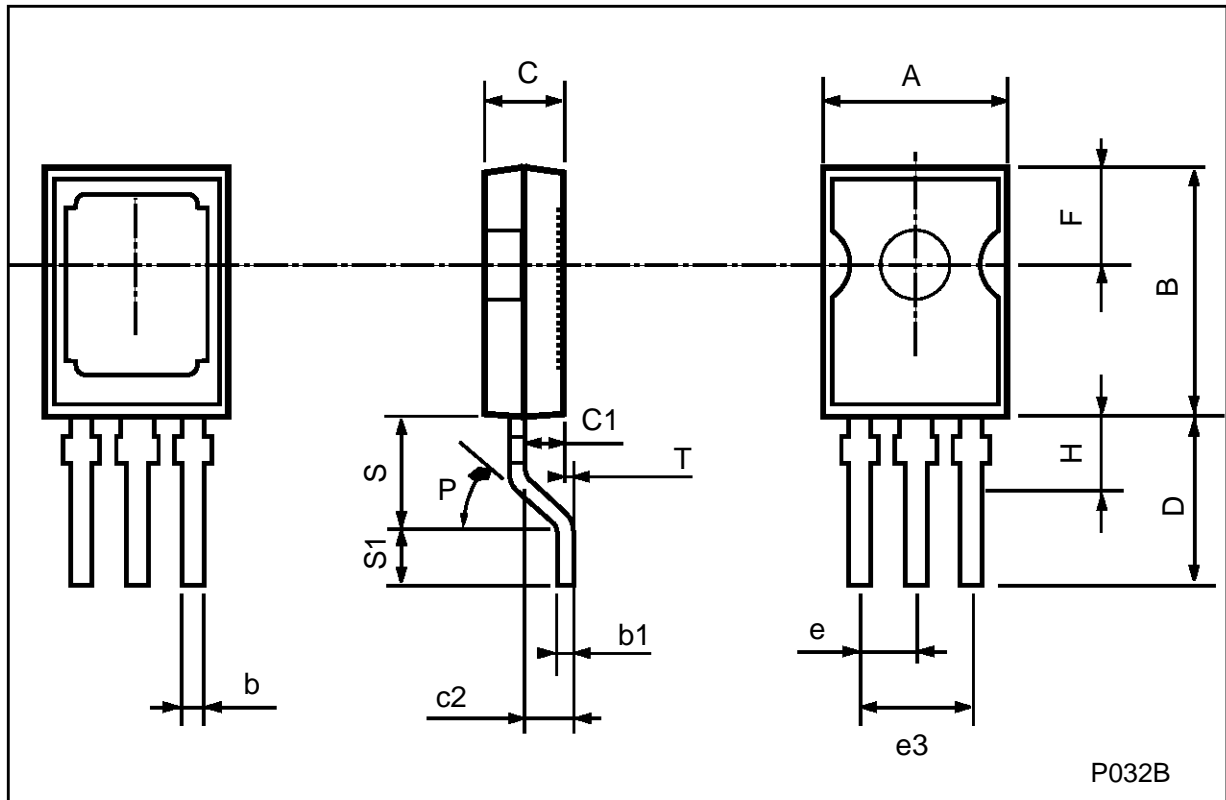
SOT-82 MECHANICAL DATA

DIM.	mm			inch		
	MIN.	TYP.	MAX.	MIN.	TYP.	MAX.
A	7.4		7.8	0.291		0.307
B	10.5		11.3	0.413		0.445
b	0.7		0.9	0.028		0.035
b1	0.49		0.75	0.019		0.030
C	2.4		2.7	0.04		0.106
c1		1.2			0.047	
D		15.7			0.618	
e		2.2			0.087	
e3		4.4			0.173	
F		3.8			0.150	
H			2.54		0.100	



SOT-194 MECHANICAL DATA

DIM.	mm			inch		
	MIN.	TYP.	MAX.	MIN.	TYP.	MAX.
A	7.4		7.8	0.291		0.307
B	10.5		11.3	0.413		0.445
b	0.7		0.9	0.028		0.035
b1	0.49		0.75	0.019		0.030
C	2.4		2.7	0.094		0.106
c1		1.2			0.047	
c2		1.3			0.051	
D		6			0.236	
e		2.2			0.087	
e3		4.4			0.173	
F		3.8			0.150	
H			2.54			0.100
P	45 (typ.)					
S		4			0.157	
S1		2			0.079	
T		0.1			0.004	



Information furnished is believed to be accurate and reliable. However, SGS-THOMSON Microelectronics assumes no responsibility for the consequences of use of such information nor for any infringement of patents or other rights of third parties which may result from its use. No license is granted by implication or otherwise under any patent or patent rights of SGS-THOMSON Microelectronics. Specifications mentioned in this publication are subject to change without notice. This publication supersedes and replaces all information previously supplied. SGS-THOMSON Microelectronics products are not authorized for use as critical components in life support devices or systems without express written approval of SGS-THOMSON Microelectronics.

© 1997 SGS-THOMSON Microelectronics - Printed in Italy - All Rights Reserved

SGS-THOMSON Microelectronics GROUP OF COMPANIES

Australia - Brazil - Canada - China - France - Germany - Hong Kong - Italy - Japan - Korea - Malaysia - Malta - Morocco - The Netherlands - Singapore - Spain - Sweden - Switzerland - Taiwan - Thailand - United Kingdom - U.S.A