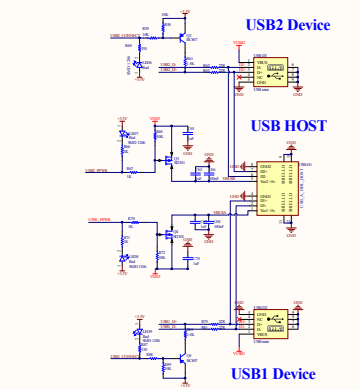
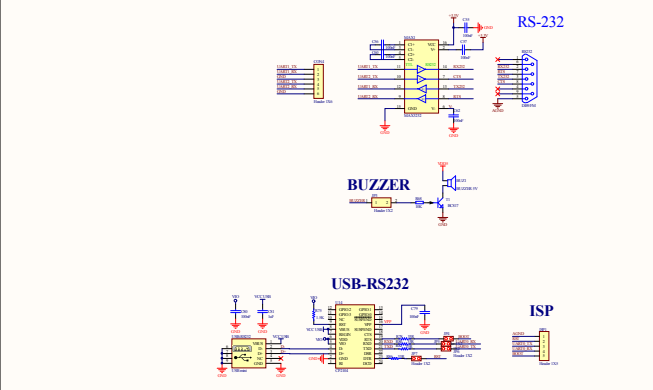
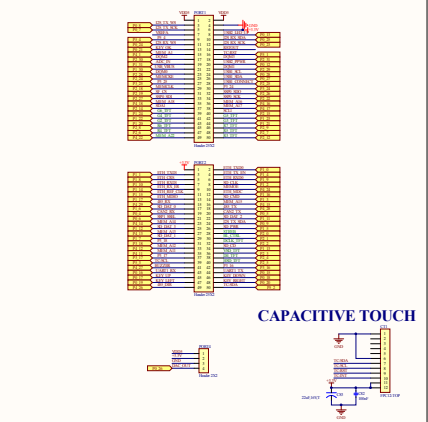
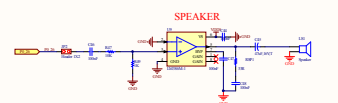
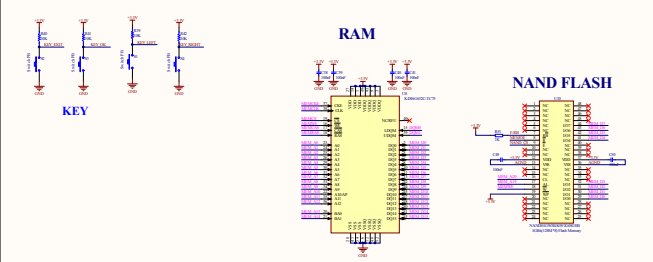
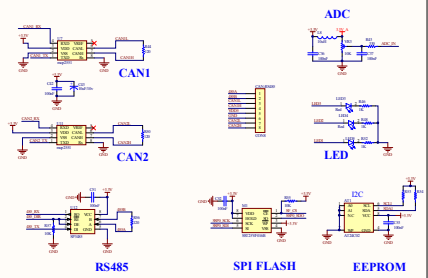
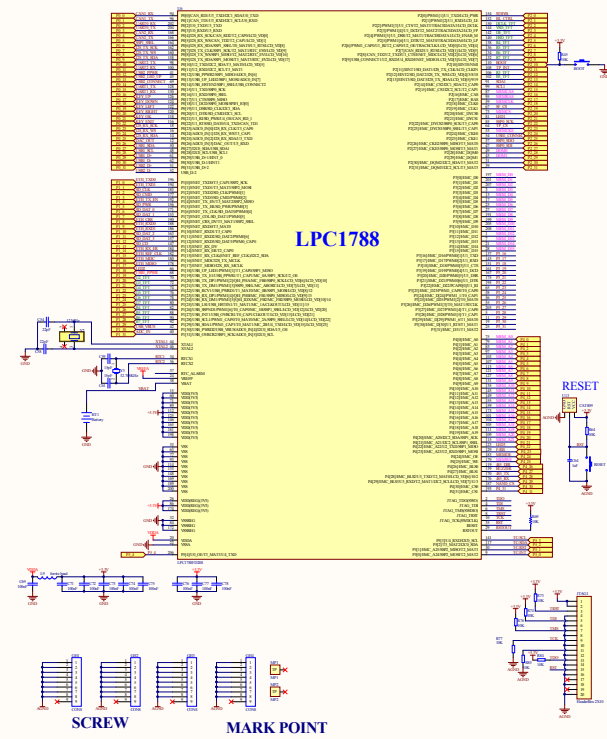
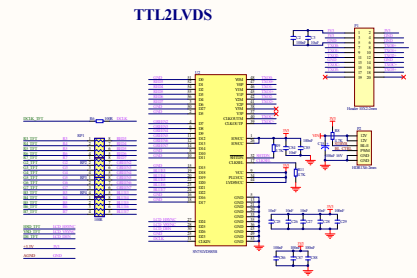
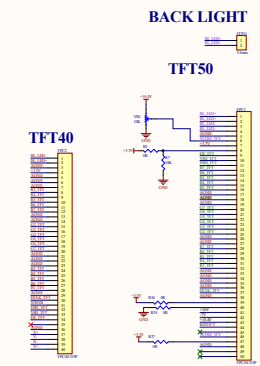
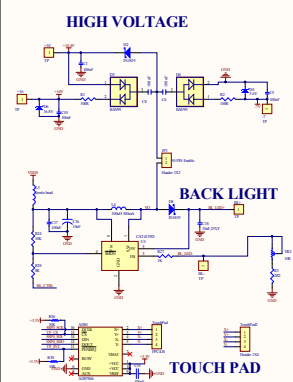
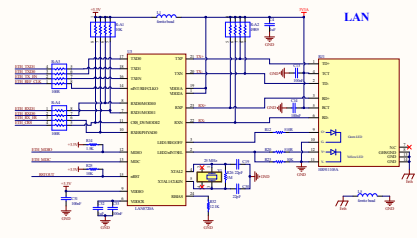
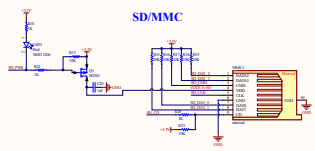


EWB-LPC1788-REV4.0 (22.8.2016)
www.kavirelectronic.ir



Part	Comment	Description	Designator	Footprint	Quantity
TP	CONNECTOR		+10, +16, +7, BLA, BL-	TP2	1
Power Jack	Power-Jack		+12V	POWER JACK2	1
ADS7846			ADS1	SSOP-16	1
AT24C02			AT1	SO-8	1
Switch PB	Push Button Switch		BCOT, RESET, S1, S2, S3, S4	Tact Switch	6
Battery	Multi-cell Battery		BT1	Battery socket SMD	1
BUZZER 5V	BUZZER		BUZ1	BUZ1	1
100uF	Bipolar Capacitor, CAPACTOR, Capacitor (Semiconductor SIM Model)		C1, C2, C3, C6, C7, C8, C9, C10, C13, C14, C17, C21, C22, C29, C31, C33, C36, C38, C37, C42, C44, C46, C47, C48, C51, C52, C53, C55, C58, C57, C59, C52, C56, C58, C59, C71, C72, C73, C74, C75, C76, C77, C78, C80, C82, C85, C86, C87, C88	0805C	49
10uF	CAPACTOR, Polar Capacitor		C3, C16, C24, C43	0805C	4
1uF	BIPOLAR CAPACITOR, CAPACTOR		C1, C4, C5, C23, C23, C24, C25, C27, C79, C81	0805C	9
220uF 25V AL	CAPACTOR		C11, C12	SE-CAP0908	2
100uF 16V AL	Polar Capacitor		C15	SE-CAP0707	1
10uF 25V T	CAPACTOR		C18	1812	1
22uF	Bipolar Capacitor		C19, C20, C54, C58	0805C	4
22uF 25V AL	CAPACTOR		C23, C24	SE-CAP0905	2
10nF	Bipolar Capacitor		C25, C26, C27, C28, C79	0805C	5
100nF	CAPACTOR		C38, C39, C40, C41, C49, C50	0805C-8	6
47uF 16V T	Capacitor		C45	1812	1
15pF	Bipolar Capacitor		C59, C61	0805C	2
22uF 16V T	CAPACTOR		C83	1812	1
10nF			C84	0805C-8	1
CONN	CONNECTOR		CONN-RS485	CONNECTOR8	1
3.3mm	CONNECTOR		CONN1	3.3mm8L	1
Header 1x6	CONNECTOR		CONN4	HDR1X6	1
FPC12-TOP	CONNECTOR		CT1	FPC12 Pin 0.5mm Pitch	1
IN5819	Schottky Diode		D1, D2, D7, D8, D9, D10, D11	SMB	3
BAV99			D3, D4	SOT-23	2
5.6V	ZENER DIODE		D5	SMA	1
16.8V	ZENER DIODE		D6	SMA	1
FPC20-TOP			FPC1	FPC20	1
FPC40-TOP			FPC2	FPC40-B	1
CONN	CONNECTOR		GH1, GH2, GH3, GH4	SC90W	4
Header 1x5	CONNECTOR		SP1	SFP	1
Header 1x2	CONNECTOR		JP1, JP2, JP3, JP4, JP5, JP6, JP7, JP8	SFP	6
HeaderBox 2K10	CONNECTOR		JTAG1	IC20-COVER	1
Resistor bead	Inductor		L1, L3, L5, L6, L7, L9	0805L	6
100uH	Inductor		L2	L0708	1
100uH 500mA			L4	L0709	1
10uH	Inductor		L8	0805L	1
Red	LED		LED1, LEM, LED3, LED4, LED5, LED6, LED7, LED8, LED9	LED1206-2	9
Speaker	Loudspeaker		L31	SFP	1
SST25VR16B			M1	SO8-W	1
MAX9232	+3V Powered, Multi-Channel RS-232 Driver/Receiver		MAX1	NSOP16_M	1
Max9232			MAX2	MC_SD	1
MP1			MP1	Mark, Point 3	1
MP2			MP2	Mark, Point 3	1
Header 10x2-2mm	Header, 15-Pin, Dual row		P1	H 2*10 2mm	1
HDR1X6-2mm	Header, 6-Pin		P2	HDR1X6-2mm	1
Header 20x2	Header, 25-Pin, Dual row		PORT1, PORT2	HDR2X25	2
Header 2x2	CONNECTOR		RC1	SO8	1
SC201	P-Channel MOSFET		Q1, Q3, Q4	SOT-23	3
BC207	PNP Bipolar Transistor		Q2, Q5	SOT-23	2
100R	RESISTOR		R1, R2	0805R	2
2K2	RESISTOR		R3	0805R	1
0R	RESISTOR		R5, R28, R34, R35, R37	0805R	5
33R	Resistor, semiconductor Resistor		R6, R8, R9, R10, R12, R15, R16, R18, R20, R21, R22, R26, R28, R29, R30, R31, R32, R33, R36, R38, R39, R40, R41, R42, R45, R47, R53, R54, R55, R57, R58, R59, R64, R65, R68, R69, R72, R73, R74, R76, R77, R84, R85, R88, R89	0805R	10
10K	RESISTOR, Semiconductor Resistor		R11, R17, R18, R19, R23, R24, R25, R33, R36, R38, R39, R40, R41, R42, R45, R47, R53, R54, R55, R57, R58, R59, R64, R65, R68, R69, R72, R73, R74, R76, R77, R84, R85, R88, R89	0805R	41
1K	Resistor, Semiconductor Resistor		R10, R12, R20, R21, R22, R27, R29, R43, R46, R48, R49, R52, R60, R66, R67, R70, R71, R87	0805R	18
1K5	Resistor		R14, R61, R75, R83	0805R	4
1M	Resistor		R26	0805R	1
12.1K	Resistor		R32	0805R	1
120	Resistor		R44, R50, R56	0805R	3
1K			R51	0805R-8	1
10K	RESISTOR ARRAY		R-A1	SO8	1
49R9	RESISTOR ARRAY		R-A2	SO8	1
100R	RESISTOR ARRAY		R-A3, R-A4, R-P1, R-P2, R-P3, R-P4	SO8	6
HR111105A			RJ1	RLT1-LAN	1
DB9-FM	CONNECTOR		RS232	DB9-F	1
DIP-SW10H			SW1, SW2	DIP-SW	2
BC317	NPN Transistor		T1	SOT-23	1
FPC4	CONNECTOR		TouchPad	FPC SMT 0-244	1
Header 1x4	CONNECTOR		TouchPad2	HDR1X4	1
LM2575			U1	TO-263	1
SN74VDS83B			U2	TSSOP-66	1
LAN8720A			U3	QFN-24	1
AMS1117-3.3	TL431 LOW-DROPOUT VOLTAGE REGULATOR		U4	SOT-223	1
CAT4130B	High Current Boost LED Driver		U5	TSOT23-6	1
LC7178F0208			U6	LSFPQW-2	1
mpc251			U7, U11	SO-8	2
K4S561632C-TC75	672MB Synchronous High Data Rate DRAM, 16Mb x 16B x 4 Banks, 54-Pin TSOP		U8	TSOP54-B	1
LM386M-1	Pb-free, Low Power Low-Voltage Voltage Power Amplifier		U9	SO-8	1
NAND01GW1B/K9F2G08U08			U10	TSOP-48-B	1
SP3485	RS485 TRANCOIVER		U12	SO-8	1
CAT809	Power Supply Supervisors		U13	SOT-23	1
CP2104			U14	QFN-24	1
USB mini	mini USB Connector		USB01, USB02, USB-	USB/SMD-8-6H5	3
USB_A_DBL_HOST			RS232	USB-A*2	1
10K	Variable Resistor		VR1, VR3	MU-POT	2
10K	Variable Resistor		VR2	MU-POT	1
25 MHz			Y1	Xtal 3.2*2.5 mm	1
12 MHz			Y2	Xtal 3.2*2.5 mm	1
32.769KHz	XTAL Crystal		Y3	Xtal_Rtc2	1