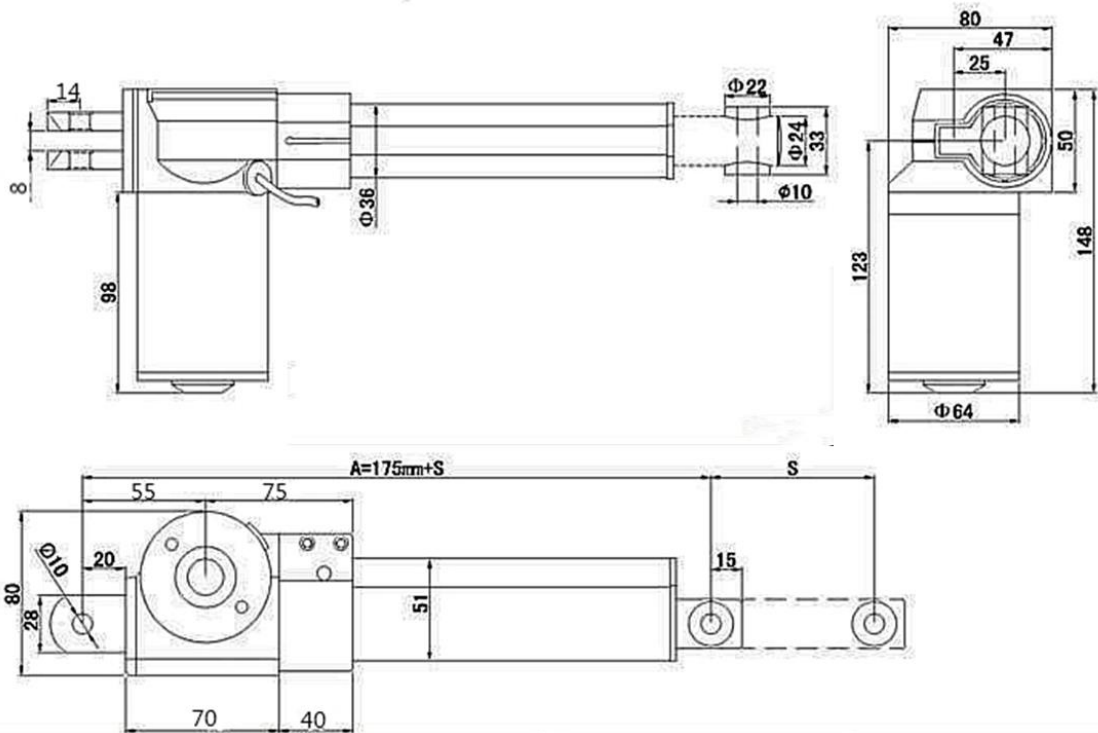
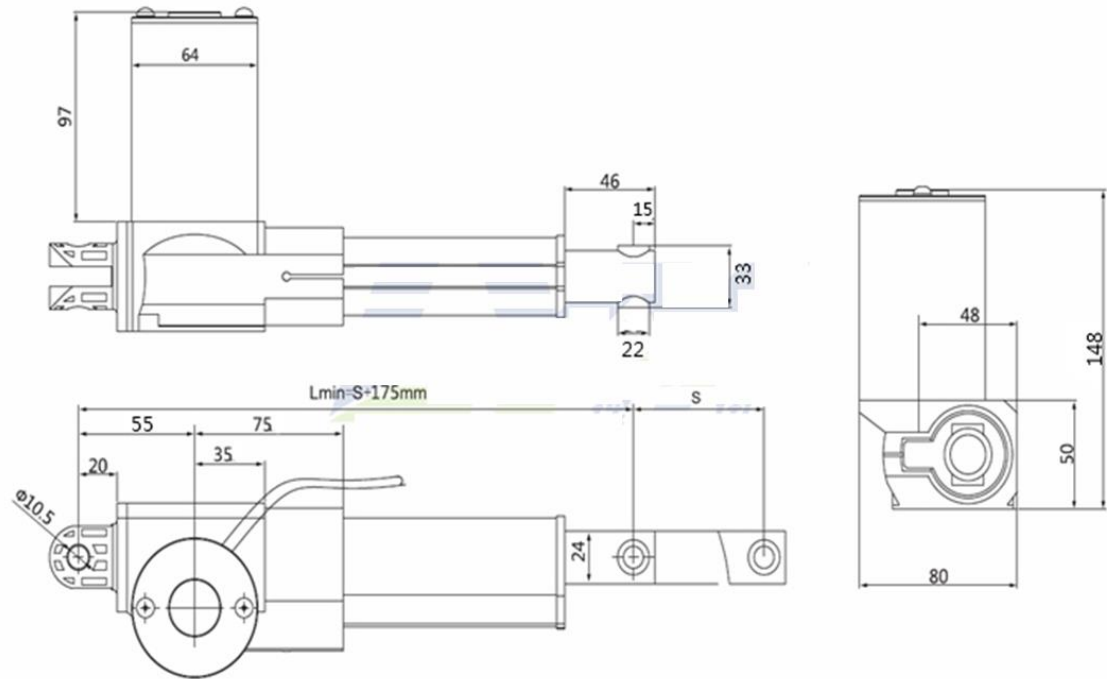


**LX600
Technical Data**

Power Rating	≤55W			
Voltage (V)	12VDC/24VDC/36VDC			
Stroke (mm)	100 150 200 250 300 400 500...			
Load Speed (mm/s)	5	<u>9</u>	18	25
Load Force (N)	6000	<u>3000</u>	2000	1000
Mounting Distance	S+175			
Limit Switches	Internal			
Operating	-25~+65			
Operating Frequency	10%-20%			
Noise Grade	<45dB			
IP Grade	IP54			

LX600



About Wiring:

Plug putter on with our controller is used, if not put joint cut with matching controller, line, there are two lines connected to the positive and negative, positive and negative exchange control launch and recover, you can add one reverse switch control retractable.

Minimum installation size (pusher is fully retracted, the distance between the two mounting holes): $L = S$ (stroke) + 175mm;

Maximum dimensions (stem extends to the end, spacing between the two mounting holes): $2 * S$ (stroke) + 175mm