

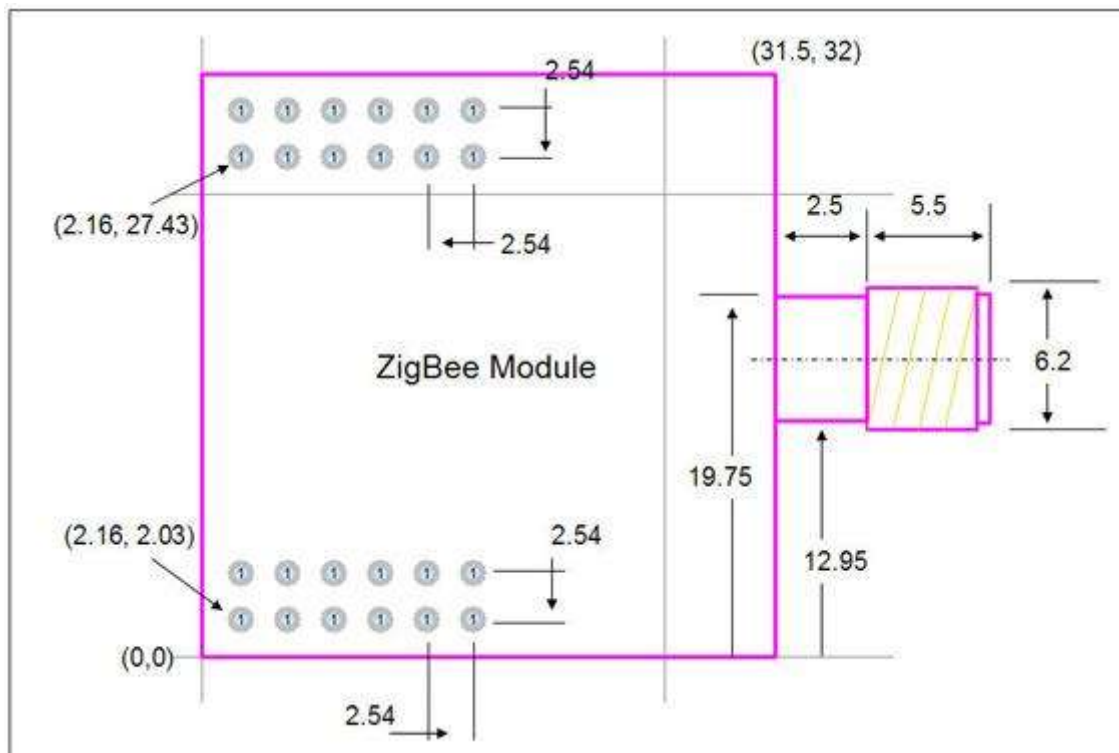
DRF1605H

Electronic Parameters:

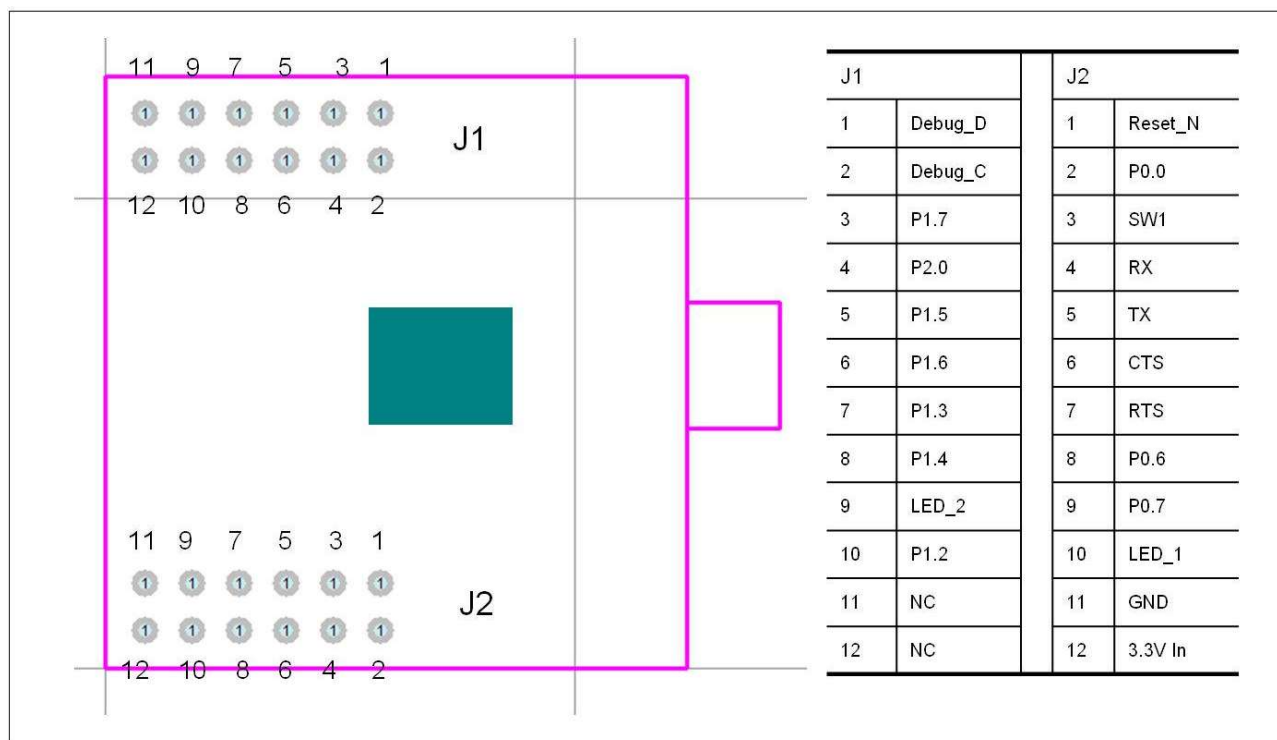
Input voltage	Standard : DC3.3V Range: DC 2.6 ~ 3.6V
Temperature range	-40 ⁰ C ~ 85 ⁰ C
Serial port rate	38400bps(Default), 9600bps, 19200bps, 38400bps, 57600bps, 115200bps
Radio frequency	2.4G(2460MHz), Can changed (2405MHz – 2480MHz, Step: 5MHz)
Wireless protocol	Zigbee2007
Distance	Visual distance 1600 Meters
Working current	Sending: 120mA (Max) ,80mA (Ave) Receiving: 45mA (Max) Standby: 40mA (Max) Users can customize the low-power module (standard module does not have this feature)
Receiver sensitivity	-110dBm
Chip	CC2530F256, 256KFLASH
Configurable Point	Can be configured as Coordinator, Router Default: Router, PAN ID=0x199B, Radio Channel=22 (2460MHz)
Interface	UART 3.3V (TX & RX) Built-in RS485 direction control, RS485 chip can directly drive RS232 chip can directly drive Direct USB to RS232 chip driver

Mechanical parameters:

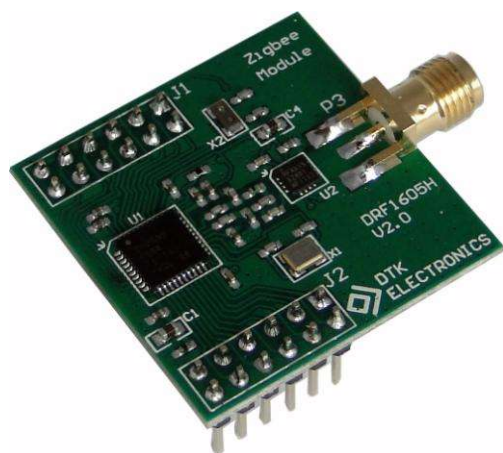
(Top View, Uint: mm)



Internal Structure and the Pin (Top View)



Appearance:



Connections

DRF1605H fully compatible with DRF1605 pin, can be connected to USB baseboard, RS485 baseboard. Customers needn't to change any design, can be used directly DRF1605H replace DRF1605