



5-Mode Preset Equalizer IC with Bass Booster & 3D Effect

PT2389

DESCRIPTION

PT2389 is a 2-channel digital preset equalizer utilizing CMOS Technology. It provides 5 different sound selections, namely: Flat/Normal, Rock, Pops, Classic and Jazz. Bass Booster and 3D Effects may be added to any of 5 sound selections, thereby creating more audio versatility. PT2389 provides two types of key selection mode, namely: the Direct and the Cyclic. Pin assignment and application circuit are optimized for cost saving advantages and easy PCB layout.

FEATURES

- CMOS Technology
- Low Total Harmonic Distortion and High S/N Ratio: THD + N < 0.01%, S/N > 95 dB
- LED Display Output Mode
- Least External Components
- 5 Sound Selections Provided: Flat/Normal, Classic, Rock, Pops, and Jazz
- Bass Booster Function & 3D Effect Provided
- 2-Channel Output
- Wide Operating Voltage Range: 5 ~ 9 V
- Direct or Cyclic Key Selection is Provided
- Available in DIP or SO Package

APPLICATIONS

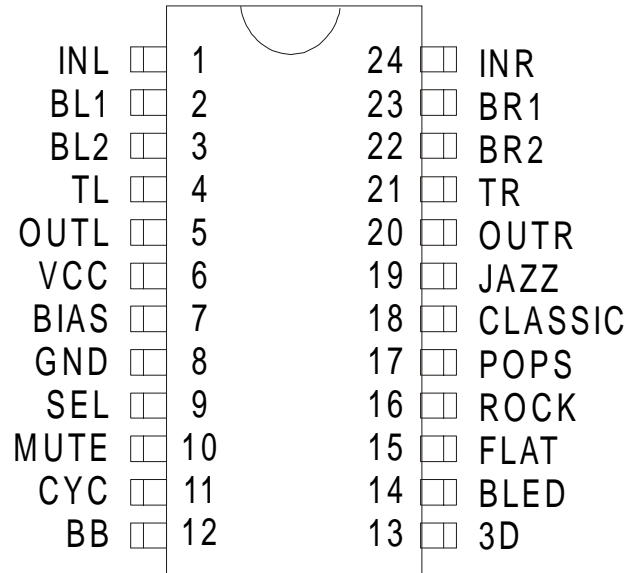
- Walkman
- Car Audio
- Mini Compo
- Multimedia Audio Components
- MPEG Card



5-Mode Preset Equalizer IC with Bass Booster & 3D Effect

PT2389

PIN CONFIGURATION



PT2389

ORDER INFORMATION

Valid Part Number	Package
PT2389	24 Pins, DIP (300 mil)
PT2389-S	24 Pins, SO (300 mil)
PT2389-SN	24 Pins, SO (150 mil)

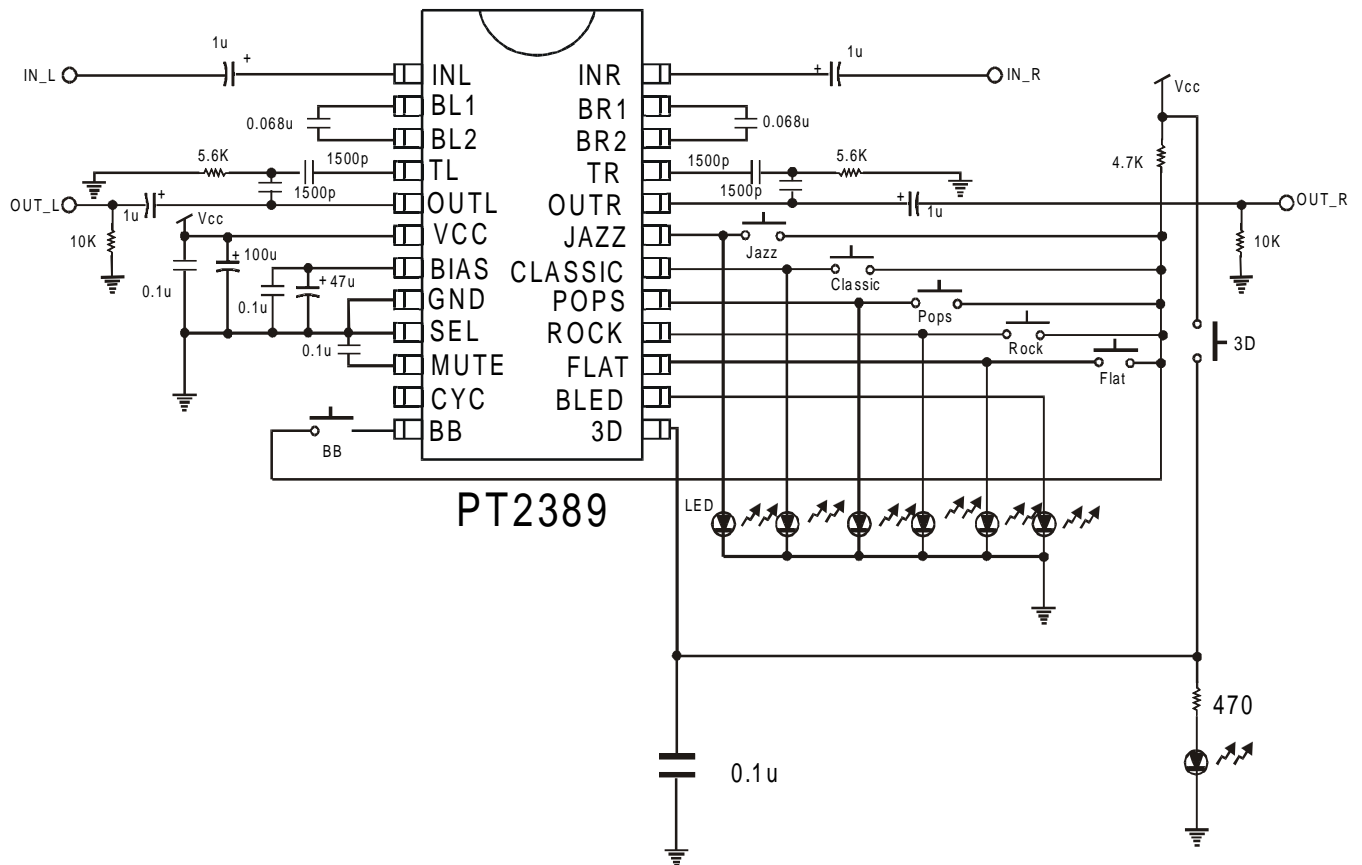


5-Mode Preset Equalizer IC with Bass Booster & 3D Effect

PT2389

APPLICATION CIRCUIT

Direct Key Mode



Note: Please use 0.068uF , 1500pF Mylar Capacitors.

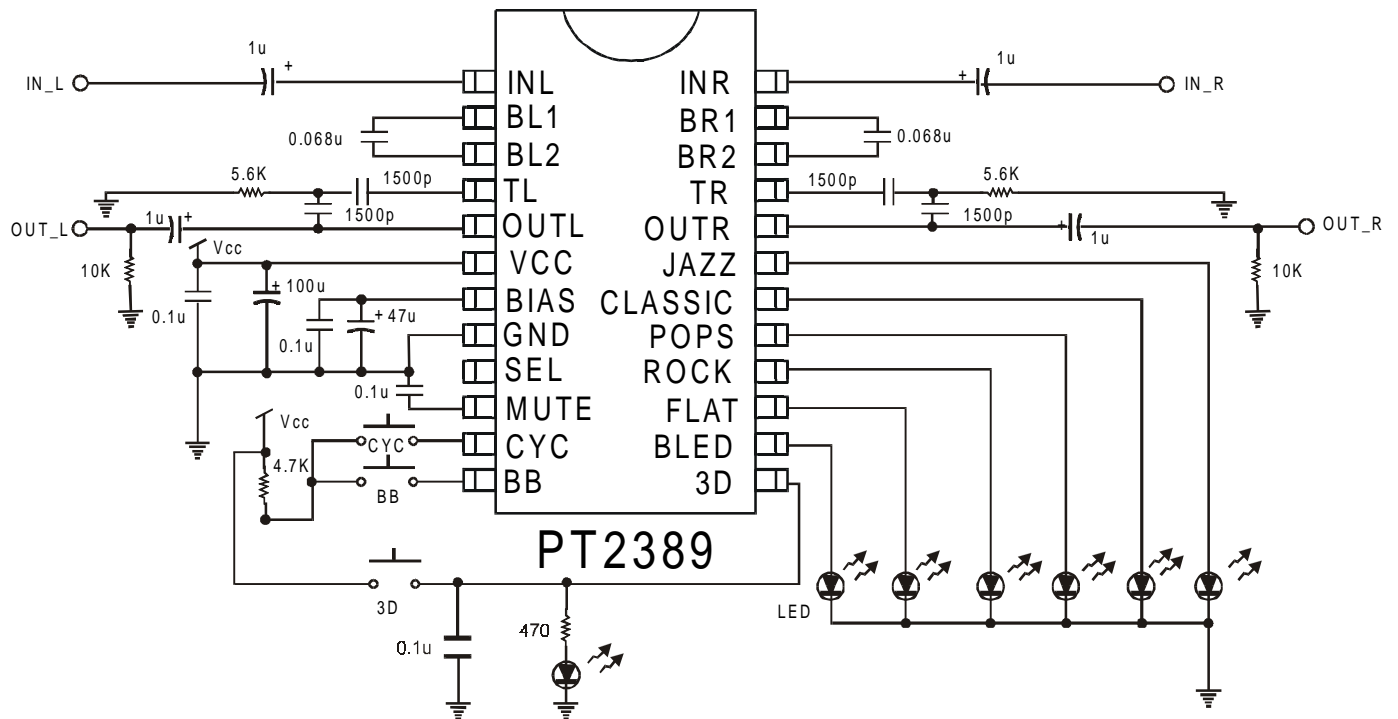


5-Mode Preset Equalizer IC with Bass Booster & 3D Effect

PT2389

APPLICATION CIRCUIT

Cyclic Key Mode



Note: Please use 0.068uF, 1500pF Mylar Capacitors.

This datasheet has been download from:

www.datasheetcatalog.com

Datasheets for electronics components.