



## Description

PT2262 is a remote control encoder paired with PT2272 utilizing CMOS Technology. It encodes data and address pins into a serial coded waveform suitable for RF or IR modulation. PT2262 has a maximum of 12 bits of tri-state address pins providing up to 531,441 (or  $3^{12}$ ) address codes; thereby, drastically reducing any code collision and unauthorized code scanning possibilities.

## Features

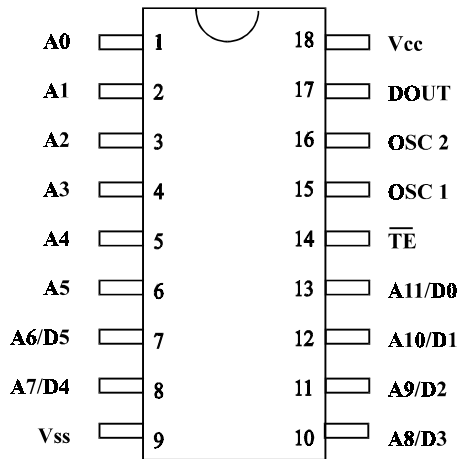
- CMOS Technology
- Low Power Consumption
- Very High Noise Immunity
- Up to 12 Tri-State Code Address Pins
- Up to 6 Data Pins
- Wide Range of Operating Voltage:  $V_{cc} = 4 \sim 15$  Volts
- Single Resistor Oscillator
- Latch or Momentary Output Type
- Available in DIP and SO Package

## Applications

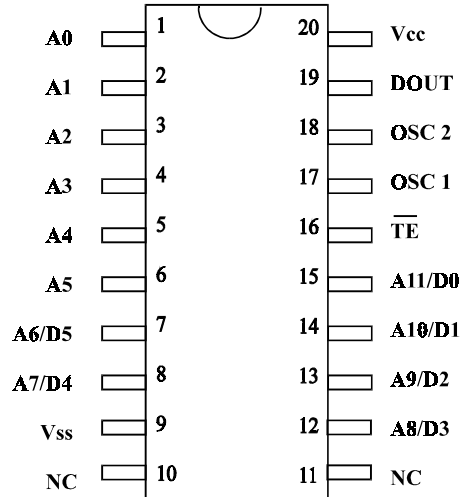
- Car Security System
  - Garage Door Controller
  - Remote Control Fan
  - Home Security/Automation System
  - Remote Control Toys
  - Remote Control for Industrial Use
- 
-



# Pin Configuration



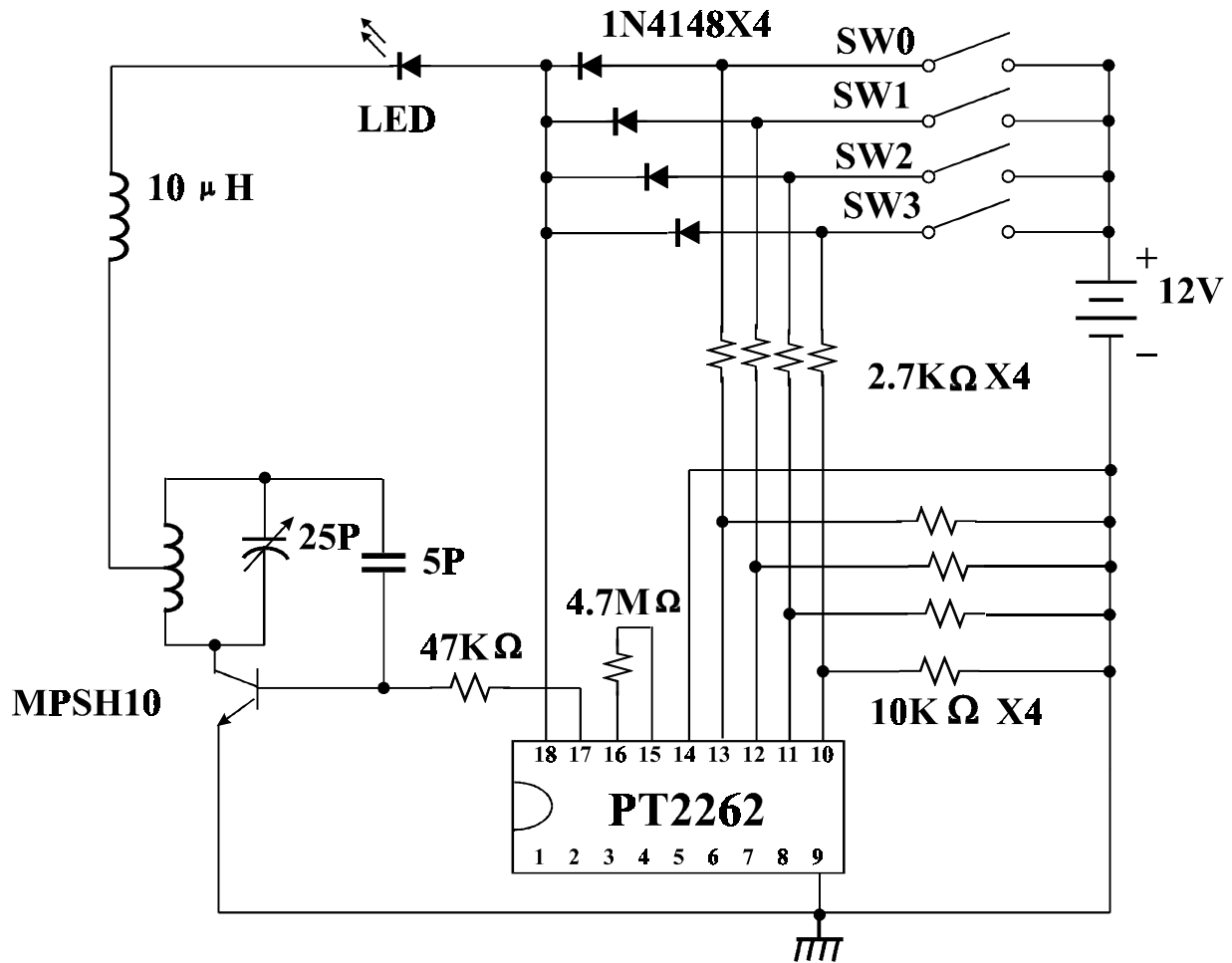
PT 2262  
PT2262-S18  
PT2262-IR



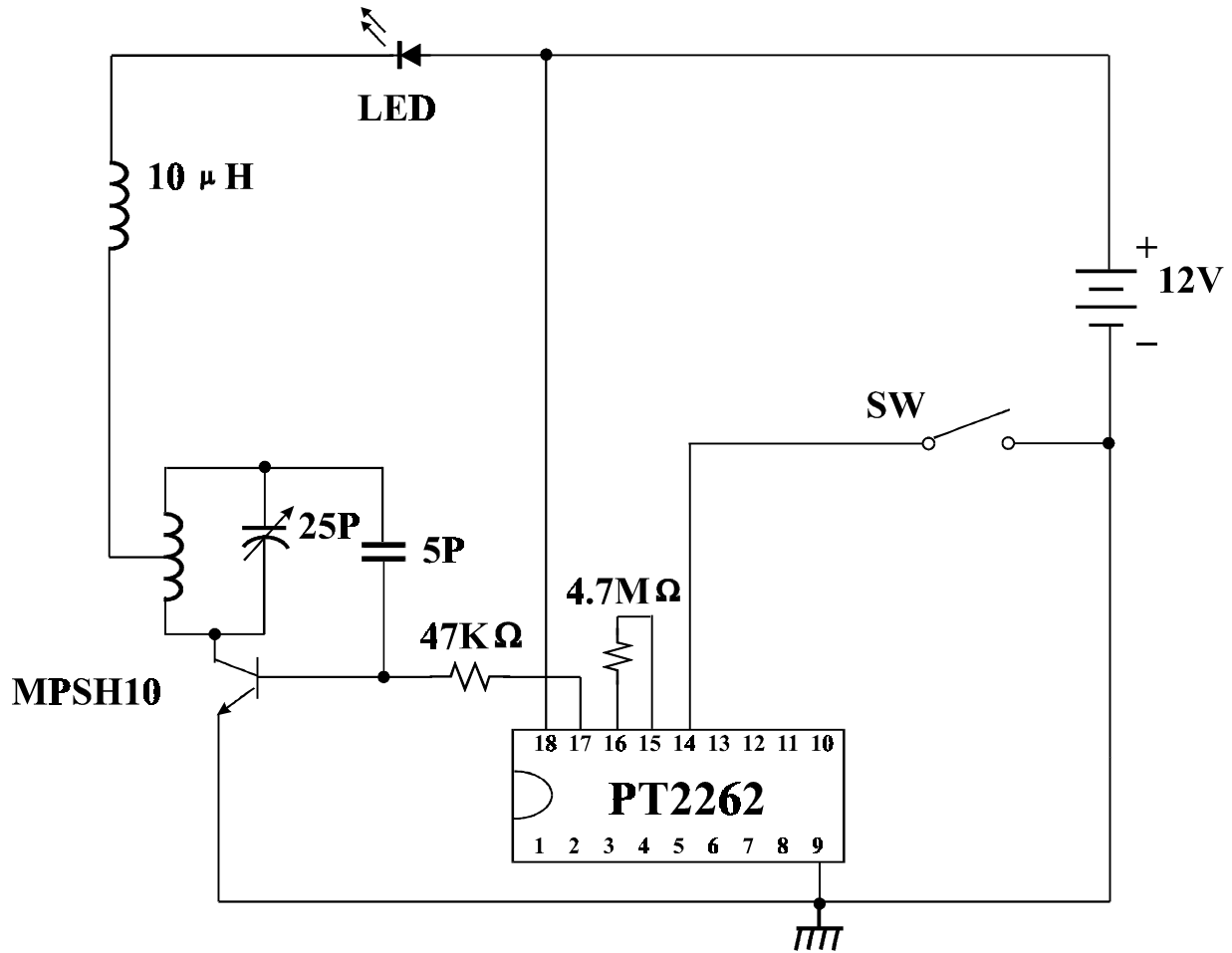
PT2262 S  
PT2262 - IR - S



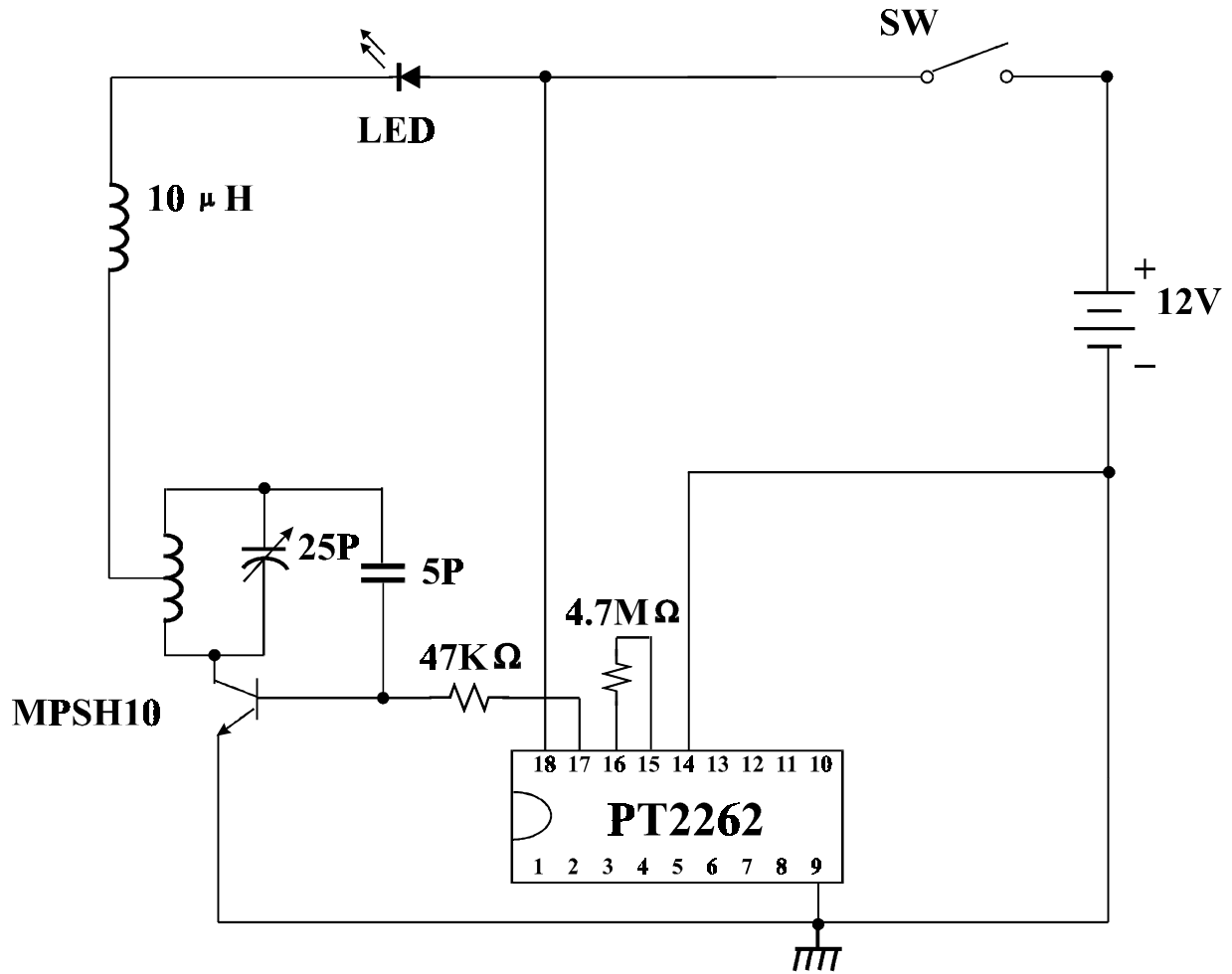
# Application Circuit



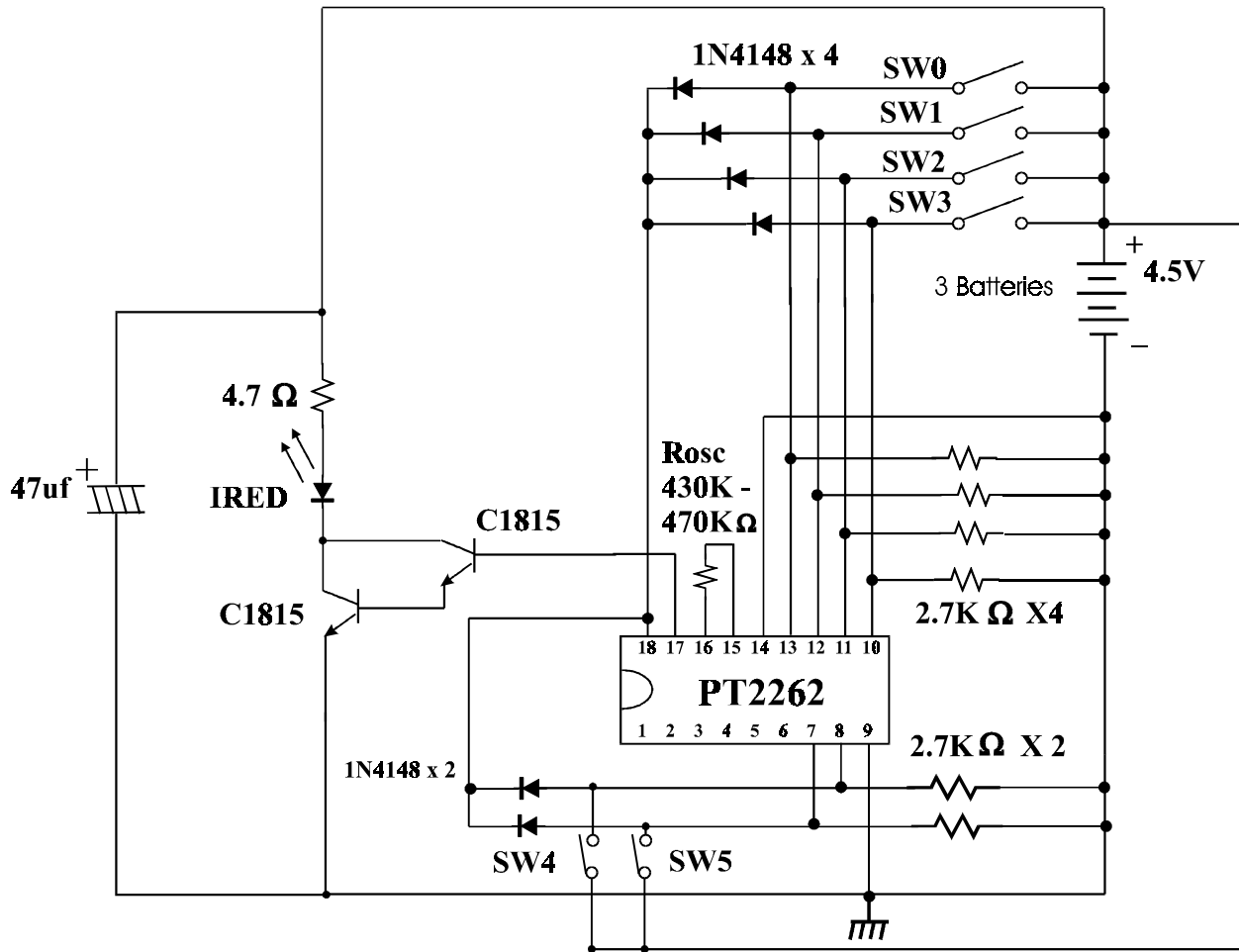
UHF Band 4 Data Transmitter Circuit is recommended.



UHF Band Address-only (Zero Data) Transmitter Circuit is recommended.



UHF Band Address-only (Zero Data) Zero-Stand-by Transmitter Circuit is recommended.



Infrared Ray 6-Data Circuit. Adjust Rosc to get 38 KHz Carrier Pulse at DOUT Pin is recommended.



## Ordering Information

Valid Product No.	Package
PT2262	18 Pins, DIP
PT2262-S18	18 Pins, SO
PT2262-IR	18 Pins, DIP
PT2262-S	20 Pins, SO
PT2262-IR-S	20 Pins, SO

### PT 2262 - XX - X

