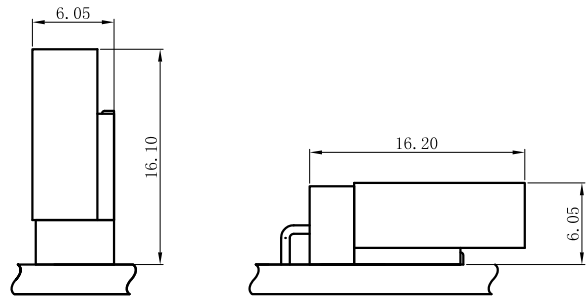


**SPECIFICATIONS:**

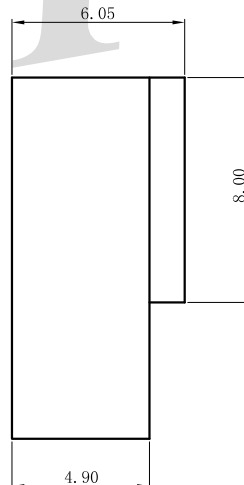
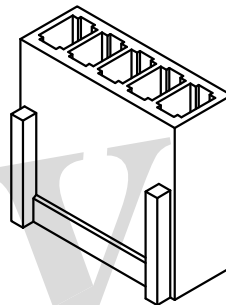
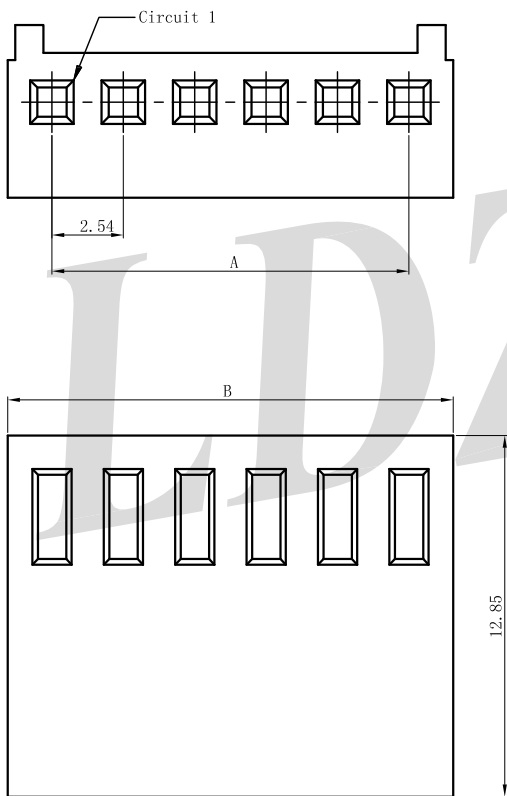
Voltage Rating: 250V AC/DC  
 Current Rating: 4A AC/DC  
 Withstanding Voltage: 1000V AC/Minute  
 Temperature Range: -25°C~+85°C  
 Insulation Resistance: 1000MΩ Min.  
 Contact Resistance: 10mΩ Max.  
 Applicable Wire Range: AWG#24~32.

**Assembly Layout:**



**A2542H-NP-N0XX**

2.54mm Pitch Single Row Housing



**Reference Informations:**

\*Material:

Housing: PA66 UL94V-0/Natrual or Beige

\*Suitable LDZY A2542 series Terminal

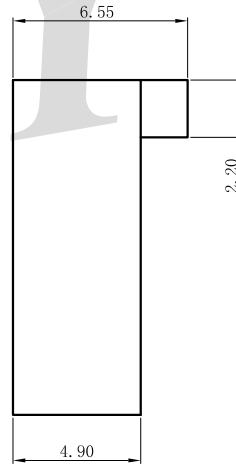
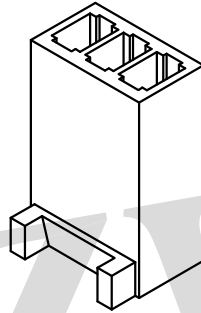
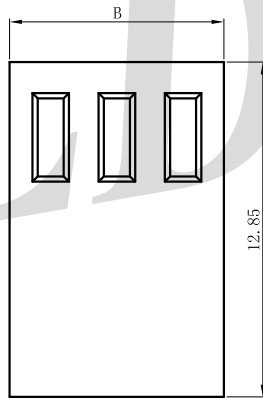
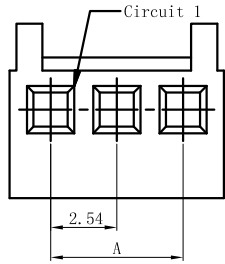
\*Mates with LDZY A2542 series Wafer

Ordering Information & Dimensions

Poles	Dimensions (mm)	
	A	B
02	2.54	5.68
03	5.08	8.22
04	7.62	10.76
05	10.16	13.30
06	12.70	15.84
07	15.24	18.38
08	17.78	20.92
09	20.32	23.46
10	22.86	26.00
11	25.40	28.54
12	27.94	31.08
13	30.48	33.62
14	32.02	36.16
15	35.56	38.70
16	38.10	41.24
17	40.64	43.78
18	43.18	46.32
19	45.72	48.86
20	48.26	51.40

## A2542HA-NP-N0NA

### 2.54mm Pitch Single Row Housing



#### Reference Informations:

\*Material:

Housing: PA66 UL94V-0/Natrual

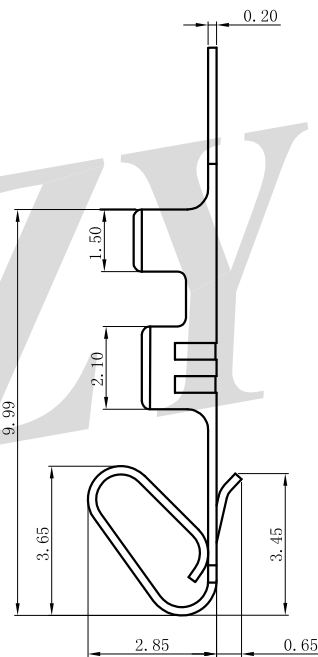
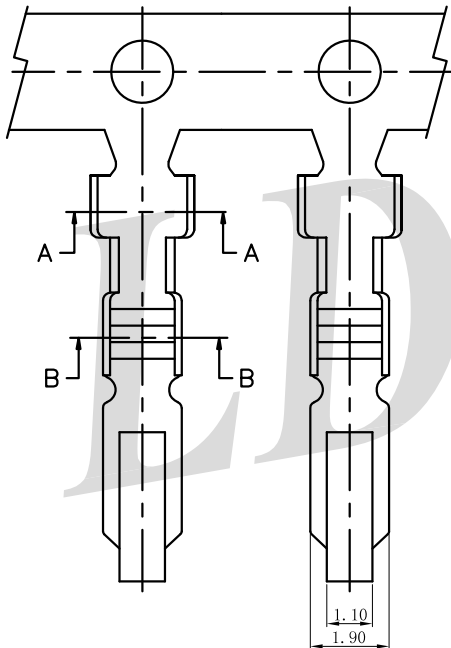
\*Suitable LDZY A2542 series Terminal

\*Mates with LDZY A2542 series Wafer  
Ordering Information & Dimensions

Poles	Dimensions (mm)	
	A	B
02	2.54	5.68
03	5.08	8.22
04	7.62	10.76
05	10.16	13.30
06	12.70	15.84
07	15.24	18.38
08	17.78	20.92
09	20.32	23.46
10	22.86	26.00
11	25.40	28.54
12	27.94	31.08
13	30.48	33.62
14	32.02	36.16
15	35.56	38.70
16	38.10	41.24
17	40.64	43.78
18	43.18	46.32
19	45.72	48.86
20	48.26	51.40

## A2542TF-PT1

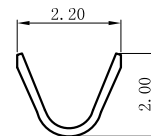
### 2.54mm Pitch Terminal



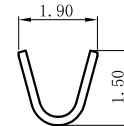
#### Reference Informations:

\*Material: Phosphor Bronze/Tin-plated

\*Mates with LDZY A2542series Housing



SEC: A-A



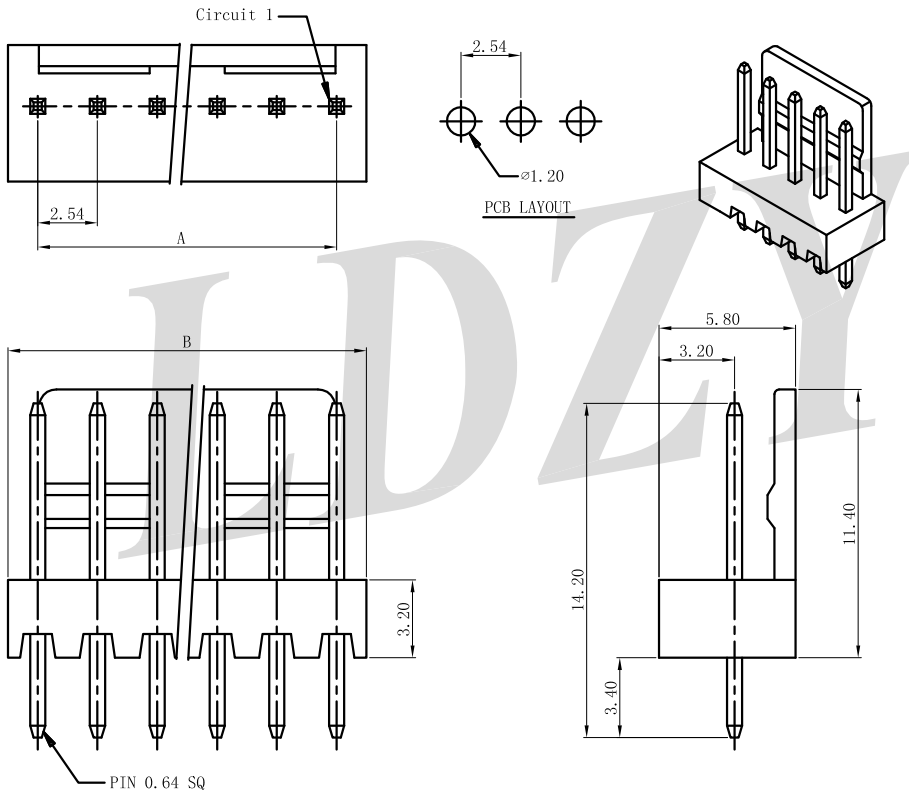
SEC: B-B

#### Ordering Information & Specifications

Part No	Wire Range	Insulation O.D.	Material	Finish	Qty/reel
A2542TF-PT1	AWG#24-#30	1.57mm(max)	Phosphor Bronze	Tin-plated	10,000pcs

## A2542WV-NP-N0XXT

2.54mm Pitch 180° Single Row Wafer



**Reference Informations:**

\*Material:

PIN: Brass/Tin plated

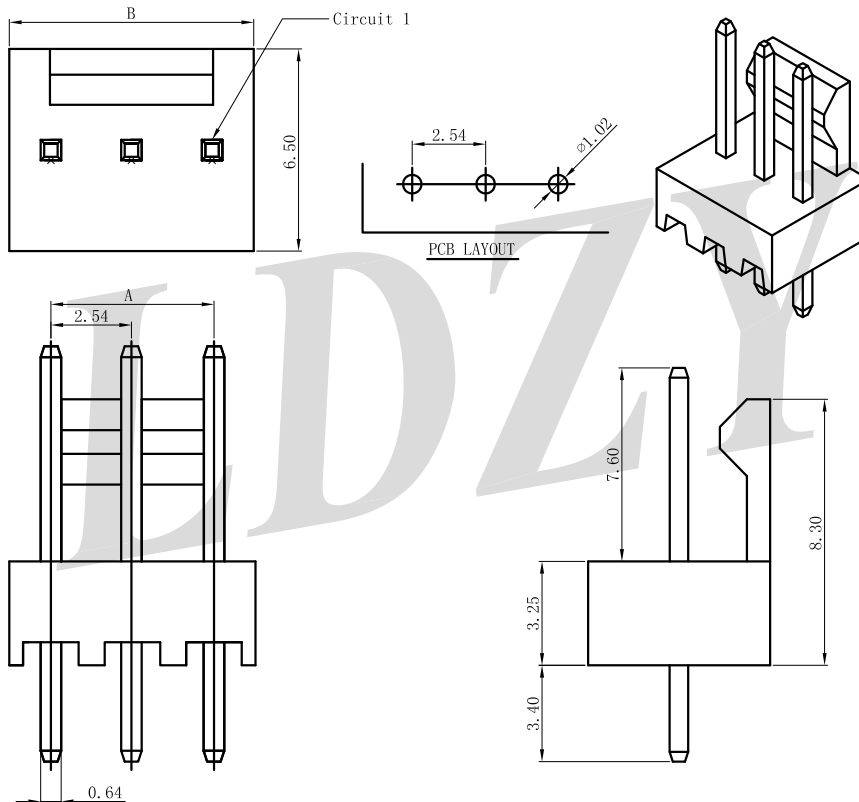
Wafer: PA66,UL94V-0 Natural or White

\*Suitable LDZY A2542 series Housing  
Ordering Information & Dimensions

Poles	Dimensions (mm)	
	A	B
02	2.54	5.08
03	5.08	7.62
04	7.62	10.16
05	10.16	12.70
06	12.70	15.24
07	15.24	17.78
08	17.78	20.32
09	20.32	22.86
10	22.86	25.40
11	25.40	27.94
12	27.94	30.48
13	30.48	32.02
14	32.02	35.56
15	35.56	38.10
16	38.10	40.64
17	40.64	43.18
18	43.18	45.72
19	45.72	48.26
20	48.26	50.80

## A2542WVA-NP-N0NAT

2.54mm Pitch 180° Single Row Wafer



**Reference Informations:**

\*Material:

PIN: Brass/Tin plated

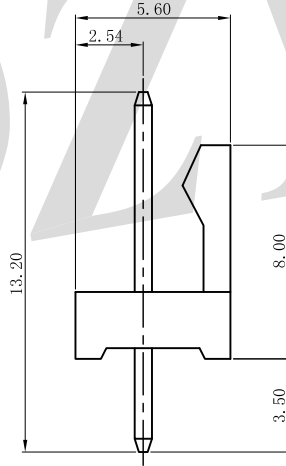
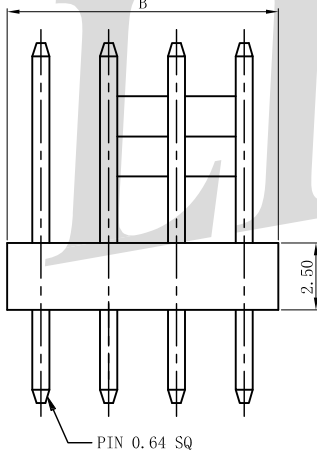
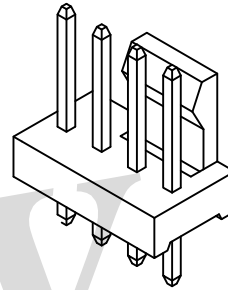
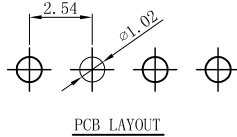
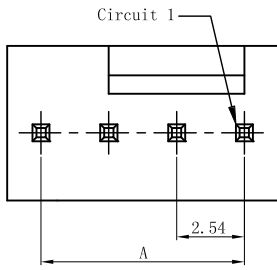
Wafer: PA66,UL94V-0 Natural

\*Suitable LDZY A2542 series Housing  
Ordering Information & Dimensions

Poles	Dimensions (mm)	
	A	B
02	2.54	5.08
03	5.08	7.62
04	7.62	10.16
05	10.16	12.70
06	12.70	15.24
07	15.24	17.78
08	17.78	20.32
09	20.32	22.86
10	22.86	25.40
11	25.40	27.94
12	27.94	30.48
13	30.48	32.02
14	32.02	35.56
15	35.56	38.10
16	38.10	40.64
17	40.64	43.18
18	43.18	45.72
19	45.72	48.26
20	48.26	50.80

## A2542WVC-NP-N0NAT

2.54mm Pitch 180° Single Row Wafer



**Reference Informations:**

\*Material:

PIN: Brass/Tin plated

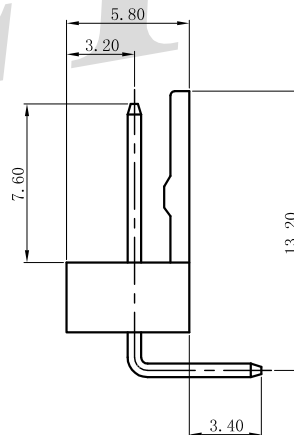
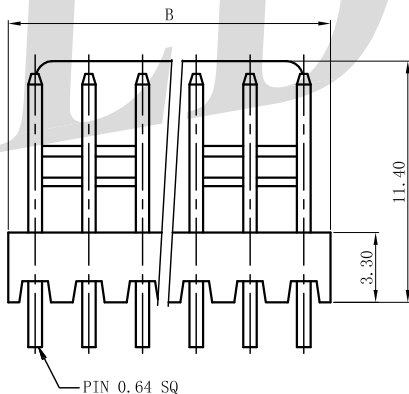
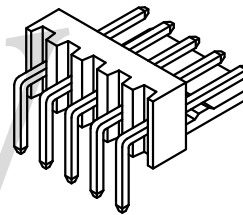
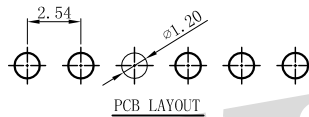
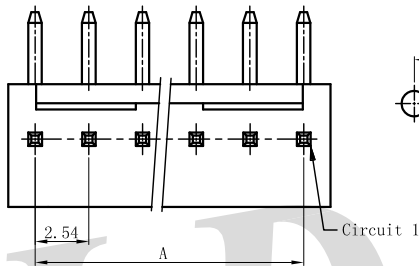
Wafer: PA66,UL94V-0 Natural

\*Suitable LDZY A2542 series Housing  
Ordering Information & Dimensions

Poles	Dimensions (mm)	
	A	B
02	2.54	5.08
03	5.08	7.62
04	7.62	10.16
05	10.16	12.70
06	12.70	15.24
07	15.24	17.78
08	17.78	20.32
09	20.32	22.86
10	22.86	25.40
11	25.40	27.94
12	27.94	30.48
13	30.48	32.02
14	32.02	35.56
15	35.56	38.10
16	38.10	40.64
17	40.64	43.18
18	43.18	45.72
19	45.72	48.26
20	48.26	50.80

## A2542WR-NP-N0XXT

2.54mm Pitch 90° Single Row Wafer



**Reference Informations:**

\*Material:

PIN: Brass/Tin plated

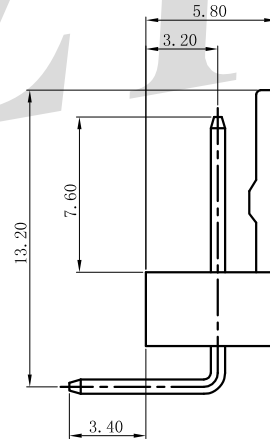
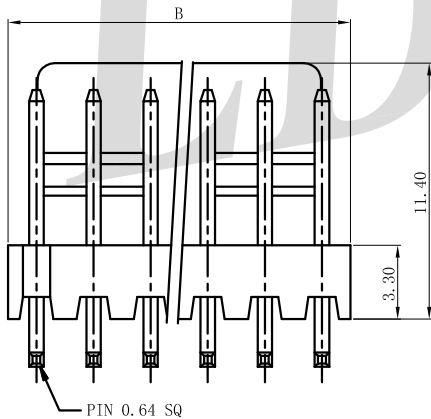
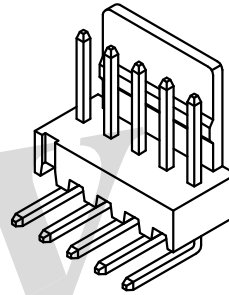
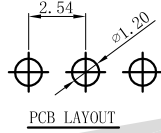
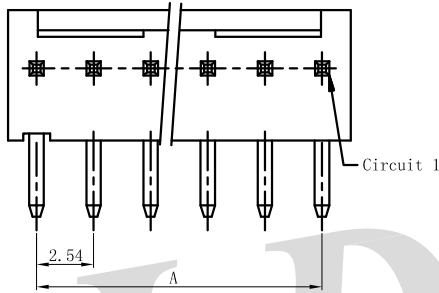
Wafer: PA66,UL94V-0 Natural or White

\*Suitable LDZY A2542 series Housing  
Ordering Information & Dimensions

Poles	Dimensions (mm)	
	A	B
02	2.54	5.08
03	5.08	7.62
04	7.62	10.16
05	10.16	12.70
06	12.70	15.24
07	15.24	17.78
08	17.78	20.32
09	20.32	22.86
10	22.86	25.40
11	25.40	27.94
12	27.94	30.48
13	30.48	32.02
14	32.02	35.56
15	35.56	38.10
16	38.10	40.64
17	40.64	43.18
18	43.18	45.72
19	45.72	48.26
20	48.26	50.80

## A2542WRA-NP-N0WHT

2.54mm Pitch 90° Single Row Wafer



**Reference Informations:**

\*Material:

PIN: Brass/Tin plated

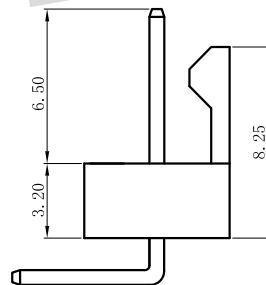
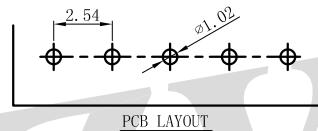
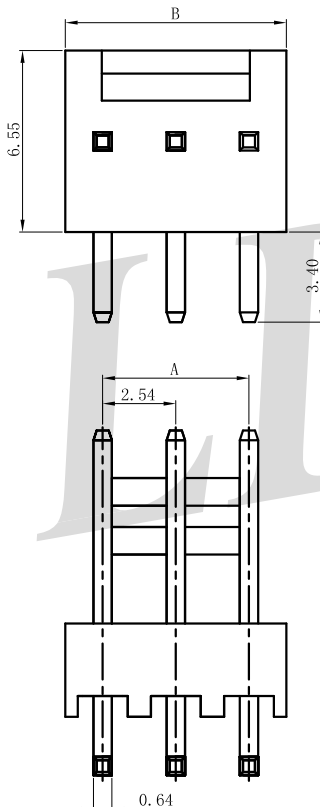
Wafer: PA66,UL94V-0 White

\*Suitable LDZY A2542 series Housing  
Ordering Information & Dimensions

Poles	Dimensions (mm)	
	A	B
02	2.54	5.08
03	5.08	7.62
04	7.62	10.16
05	10.16	12.70
06	12.70	15.24
07	15.24	17.78
08	17.78	20.32
09	20.32	22.86
10	22.86	25.40
11	25.40	27.94
12	27.94	30.48
13	30.48	32.02
14	32.02	35.56
15	35.56	38.10
16	38.10	40.64
17	40.64	43.18
18	43.18	45.72
19	45.72	48.26
20	48.26	50.80

## A2542WRB-NP-N0WHT

2.54mm Pitch 90° Single Row Wafer



**Reference Informations:**

\*Material:

PIN: Brass/Tin plated

Wafer: PA66,UL94V-0 White

\*Suitable LDZY A2542 series Housing  
Ordering Information & Dimensions

Poles	Dimensions (mm)	
	A	B
02	2.54	5.08
03	5.08	7.62
04	7.62	10.16
05	10.16	12.70
06	12.70	15.24
07	15.24	17.78
08	17.78	20.32
09	20.32	22.86
10	22.86	25.40
11	25.40	27.94
12	27.94	30.48
13	30.48	32.02
14	32.02	35.56
15	35.56	38.10
16	38.10	40.64
17	40.64	43.18
18	43.18	45.72
19	45.72	48.26
20	48.26	50.80