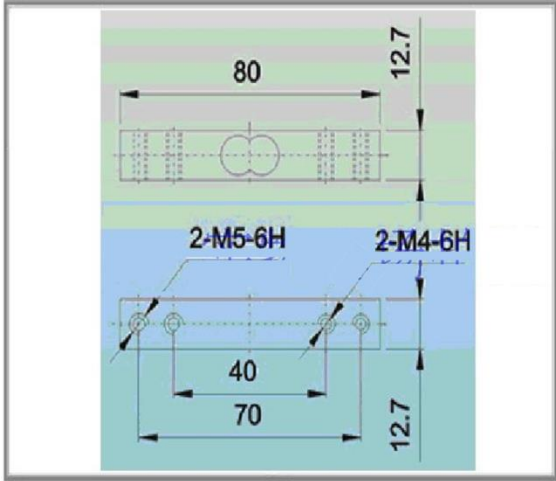


Weighing sensor 1KG micro-sensor force 2KG / 5KG high-precision 10KG wide measurement YZC-133 weighing

2kg

Brand: none Color classification: 1KG special 5KG 10K

Range (kg)		1, 2 5 10	
Synthetic error (% FS)	0.05	Rated output temperature drift (% FS / 10 °C)	≤ 0.15
Sensitivity (mv / v)	1.0 ± 0.1	Zero output (mV / V)	± 0.1
Non-linearity (% FS)	0.05	Input resistance (Ω)	1000 ± 50
Repeatability (% FS)	0.05	Output resistance (Ω)	1000 ± 50
Hysteresis (% FS)	0.05	Insulation resistance (MΩ)	≥2000 (100VDC)
Creep (% FS / 3min)	0.05	Recommended excitation voltage (V)	3 ~ 12
Zero drift (% FS / 1min)	0.05	Operating temperature range (°C)	-10 ~ +50
Zero temperature drift (% FS / 10 ° C)	0.2	Overload capacity (% FS)	150



Sensor size is 80MM long, wide and high is 12.7MM.